

Data sheet

Commercial Art.No.: 76.372.2535.1

Hood HD GOT GL 25 M20 50 A1

Hood revos HD made of aluminum, with single locking lever and threaded hole M20 on the top - free cable connection, low version, 25-poles



| | |
|--------------------|---------------|
| Commercial Art.No. | 76.372.2535.1 |
| EAN | 4015573675667 |
| Order Unit | 1 |

Technical data

General

| | |
|--|---------------------|
| Housing material | aluminum |
| Color | Grey |
| Surface | With powder coating |
| Degree of protection (IP) | Other |
| UV resistant | yes |
| Inflammability class of insulation material acc. with UL94 | Other |
| Operating temperature range min. | -40 °C |
| Operating temperature range max. | 120 °C |

Model

| | |
|------------------------|----------------------|
| Construction | 16/25 |
| Locking mechanism | Single locking lever |
| Cable entry | Above |
| Type of cable | Thread |
| With cable screw gland | No |
| Thread size M | 20 |
| Thread size PG | |
| Hinged lid | No |
| EMC-version | No |
| Length | 90 mm |
| Width | 33 mm |
| Height | 70 mm |

Classification

| | |
|-----------|--|
| ECLASS 11 | |
|-----------|--|

| | |
|------------|----------|
| ECLASS 8.1 | 27440202 |
| ETIM 7.0 | EC000437 |
| ETIM 6.0 | EC000437 |
| ETIM 5.0 | EC000437 |
| ETIM 4.0 | EC000437 |
| ETIM 3.0 | EC000437 |

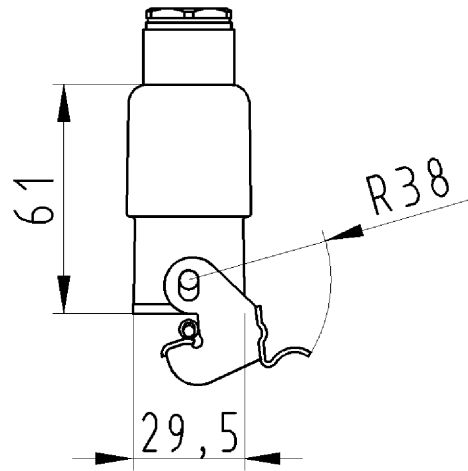
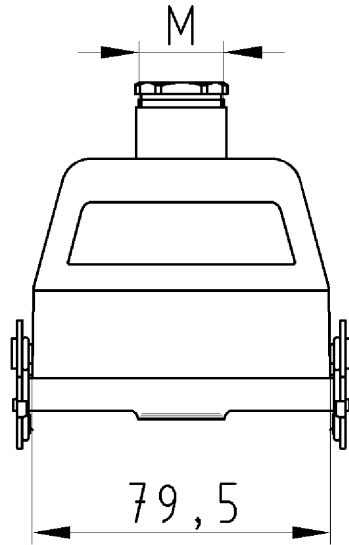
Product compliance

| | |
|------------------------------|-----------|
| REACH-SVHC conformity status | Compliant |
|------------------------------|-----------|

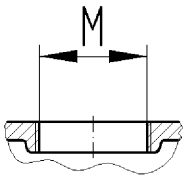
Fits with

| Commercial Art.No.: | Article-type description: | Description: |
|---------------------|--------------------------------------|--|
| 73.300.1653.0 | Female insert HD BUS 16 2,5 25 AG | revos BASIC HD 16 pole + ground, female insert 250V/16A, screw connection |
| 73.300.1653.3 | Female insert HD BUS SB 16 2,5 25 AG | revos BASIC HD 16 pole + ground, female insert, marked 17-32, 250V/16A, screw connection |
| 73.310.1653.0 | Male insert HD STS 16 2,5 25 AG | revos BASIC HD 16 pole + ground, male insert 250V/16A, screw connection |
| 73.310.1653.3 | Male insert HD STS SB 16 2,5 25 AG | revos BASIC HD 16 pole + ground, male insert, marked 17-32, 250V/16A, screw connection |
| 73.700.2553.0 | Female insert HD BUC 25 25 | revos HD 25 pole + ground, female insert 250V/10A, crimp connection |
| 73.710.2553.0 | Male insert HD STC 25 25 | revos HD 25 pole + ground, male insert 250V/10A, crimp connection |

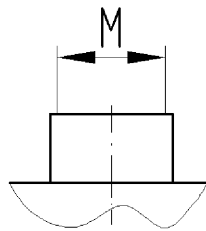
version .0



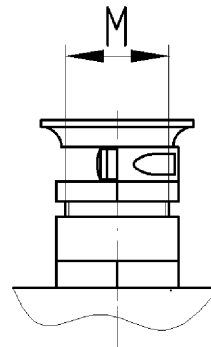
Weitergabe sowie Vervielfältigung dieses Dokuments, Verwertung und Mitteilung seines Inhalts sind verboten, soweit nicht ausdrücklich gestattet. Die Reproduktion, Distribution und Utilization of this document as well as the communication of its contents to others without express authorization is prohibited.



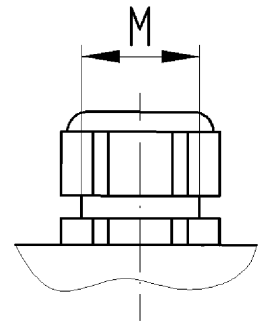
version .1



version .2



version .3



version .5

IP 65

Gehäuseoberteil
76.372.2535.0

Zeichnungsnummer
76.372.2535.010W
Gehäuseoberteil

14.01.2007
Hoffmann Angelika
M 1:2