

Data sheet

Commercial Art.No.: 70.352.4835.0

Hood BAS GOT GI 48 M32 50 A0

Hood revos basic made of aluminum, for single locking lever with cable gland M32 on the top (IP54), low version, 48-poles



Commercial Art.No.	70.352.4835.0
EAN	4015573651579
Order Unit	1

Certificates / Approvals



Technical data

General

Housing material	aluminum
Color	Grey
Surface	With powder coating
Degree of protection (IP)	IP54
UV resistant	yes
Inflammability class of insulation material acc. with UL94	Other
Operating temperature range min.	-40 °C
Operating temperature range max.	120 °C

Model

Construction	48
Locking mechanism	Single locking lever
Cable entry	Above
Type of cable	Gland nut
With cable screw gland	yes
Thread size M	32
Thread size PG	
Hinged lid	No
EMC-version	No
Length	132 mm
Width	90 mm
Height	107 mm

Classification

ECLASS 11	
ECLASS 8.1	27440202
ETIM 7.0	EC000437
ETIM 6.0	EC000437
ETIM 5.0	EC000437
ETIM 4.0	EC000437
ETIM 3.0	EC000437

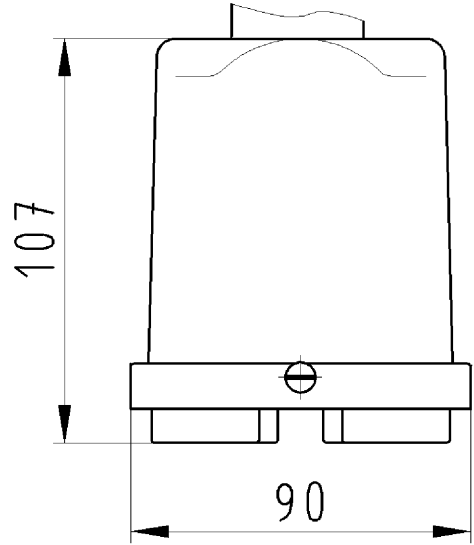
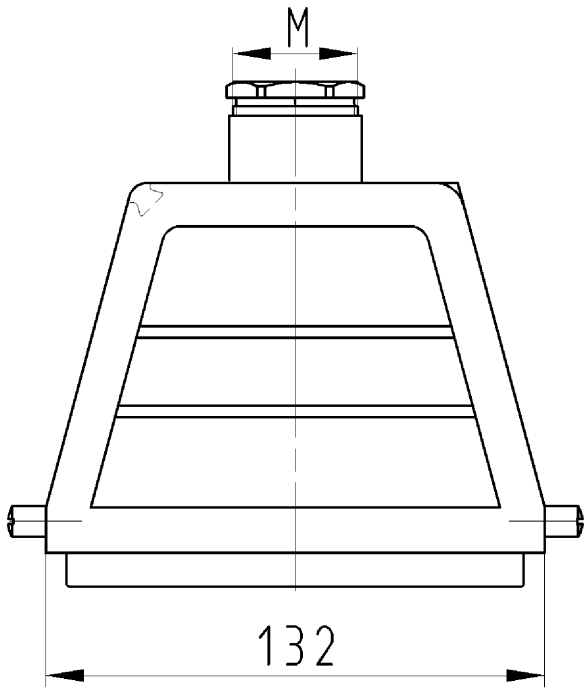
Product compliance

ROHS conformity status	Compliant/Exempted
ROHS exceptions	III-6(c)
REACH-SVHC conformity status	Duty-To-Declare
REACH-SVHC substances	Lead
REACH-SVHC CAS numbers	7439-92-1

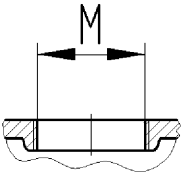
Fits with

Commercial Art.No.:	Article-type description:	Description:
70.300.4840.0	Female insert BAS BUS 48 2,5 50	Female insert revos basic, 48-poles, rated current: 16A, rated voltage:500V, with tin-plated contacts
70.310.4840.0	Male insert BAS STS 48 2,5 50	Male insert revos basic, 48-poles, rated current: 16A, rated voltage: 500V, with tin-plated contacts
70.500.4853.0	Female insert BAS BUF 48 2,5 50	Female insert revos basic, 48-poles, rated current: 16A, rated voltage:500V, with tin-plated contacts
70.510.4853.0	Male insert BAS STF 48 2,5 50	Male insert revos basic, 48-poles, rated current: 16A, rated voltage: 500V, with tin-plated contacts
70.700.4858.0	Female insert BAS BUC 48 50	Female insert revos basic, 48-poles, rated current: 16A, rated voltage:500V, with tin-plated contacts
70.710.4858.0	Male insert BAS STC 48 50	Male insert revos basic, 48-poles, rated current: 16A, rated voltage: 500V, with tin-plated contacts
72.300.4853.0	Female insert BAS BUS 48 2,5 69	Female insert revos basic, 48-poles, rated current: 16A, rated voltage:690V, with tin-plated contacts
72.310.4853.0	Male insert BAS STS 48 2,5 69	Male insert revos basic, 48-poles, rated current: 16A, rated voltage: 690V, with tin-plated contacts

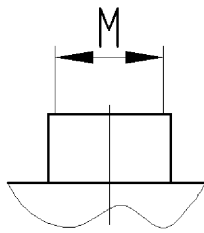
version .0



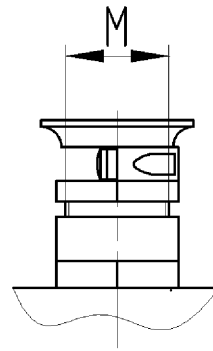
Weitergabe sowie Vervielfältigung dieses Dokuments, Verwertung und Mitteilung seines Inhalts sind verboten, soweit nicht ausdrücklich gestattet. Die Reproduktion, Distribution und Utilization of this document as well as the communication of its contents to others without express authorization is prohibited.



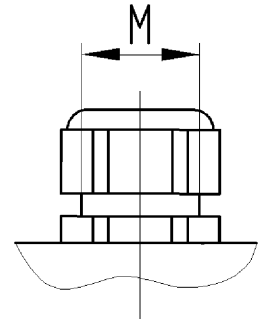
version .1



version .2



version .3



version .5

IP 65

Gehäuseoberteil
70.352.4835.0

Zeichnungsnummer
70.352.4835.010W
Gehäuseoberteil

30.11.2007
Index a 24.02.2010
Hoffmann Angelika
M 1:2