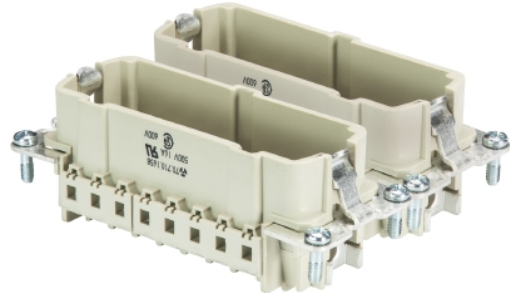


Data sheet

Commercial Art.No.: 70.710.3253.0

Male insert BAS STC 32 50

Male insert revos basic, 32-poles, rated current: 16A, rated voltage: 500V, with tin-plated contacts



Commercial Art.No.	70.710.3253.0
EAN	4015573387188
Order Unit	1

Certificates / Approvals



Technical data

General

Model	Pin insert
Inflammability class of insulation material acc. with UL94	V0
Color	Grey
Mating cycles	200
Pollution degree	3
Modular version	No
Operating temperature range min.	-40 °C
Operating temperature range max.	120 °C

Connection Data

Connection type	Crimp
Number of poles	32
Plus switching contacts	0
Number of pole for rated current 2	0
Number of pole for rated current 3	0
Total number of poles (without ground contact)	32
With wire protection	No
Protective contact	yes

Technical Data UL/CSA

Rated voltage according to UL/CSA	600 V
Rated current according UL	16 A
Rated current according CSA	16 A
Min. conductor cross section flexible wire	0.5 mm ²
Max. conductor cross section flexible wire	4 mm ²
Conductor cross section flexible AWG wire	20-12 AWG

Model

With housing	No
--------------	----

Contacts

Contact material	See contacts
Surface	See contacts
Contact resistance	≤ 1.5 mOhm
Wire strip length	7 mm

Screws head design/recomm. Torque

Mounting screws	H1/0.5-0.7 Nm
Ground conductor screws	H2/1.2-1.6 Nm

Technical Data DIN EN 61984

Nominal voltage	500 V
Rated voltage face/ground	500 V
Nominal current	16 A
Rated impulse voltage	6 kV

Classification

ECLASS 11	
ECLASS 8.1	27440205
ETIM 7.0	EC000438
ETIM 6.0	EC000438
ETIM 5.0	EC000438
ETIM 4.0	EC000438
ETIM 3.0	EC000438

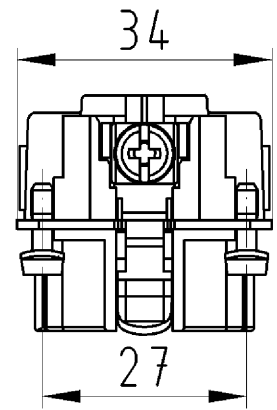
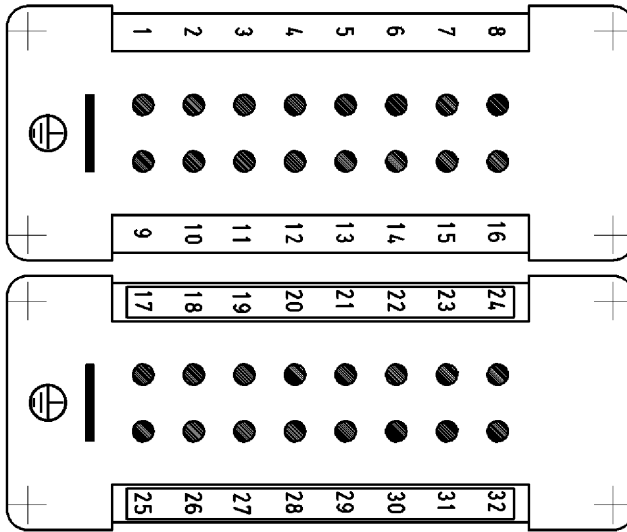
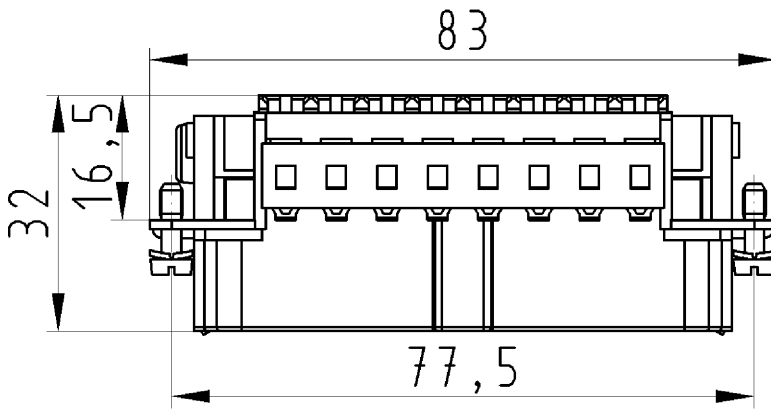
Accessories

Commercial Art.No.:	Article-type description:	Description:
05.543.7001.0	Male contact 0,5 QMM AU	Male contact, turned Ø 2,5 mm, 0,5 mm ² , AWG 20, Au
05.543.7002.0	Male contact 0,5 QMM AG	
05.543.7021.0	Male contact 0,5 QMM	Male contact, turned Ø 2,5 mm, 0,5 mm ² , AWG 20, Sn
05.543.7101.0	Male contact 0,75-1 QMM AU	Male contact, turned Ø 2,5 mm, 0,75-1 mm ² , AWG 18, Au
05.543.7102.0	Male contact 0,75-1 QMM AG	Male contact, turned Ø 2,5 mm, 0,5 mm ² , AWG 20, Ag
05.543.7121.0	Male contact 0,75-1 QMM	Male contact, turned Ø 2,5 mm, 0,75-1 mm ² , AWG 18, Sn
05.543.7201.0	Male contact 1,5 QMM AU	Male contact, turned Ø 2,5 mm, 1,5 mm ² , AWG 16, Au
05.543.7202.0	Male contact 1,5 mm ² Ag	
05.543.7221.0	Male contact 1,5 QMM	Male contact, turned Ø 2,5 mm, 1,5 mm ² , AWG 16, Sn
05.543.7301.0	Male contact 2,5 QMM AU	Male contact, turned Ø 2,5 mm, 2,5 mm ² , AWG 14, Au
05.543.7302.0	Male contact 2,5 QMM AG	
05.543.7321.0	Male contact 2,5 QMM	Male contact, turned Ø 2,5 mm, 2,5 mm ² , AWG 14, Sn
05.543.7401.0	Male contact 4 QMM AU	Male contact, turned Ø 2,5 mm, 4 mm ² , AWG 12, Au
05.543.7402.0	Male contact 4 QMM AG	
05.543.7421.0	Male contact 4 QMM	Male contact, turned Ø 2,5 mm, 4 mm ² , AWG 12, Sn

Fits with

Commercial Art.No.:	Article-type description:	Description:

70.350.3235.0	Hood BAS GOT GA 32 M32 50 A0	Hood revos basic made of aluminum, for double locking lever or. screw cap with cable gland M32 on the right side (IP54), low version, 32-poles
70.350.3235.1	Hood BAS GOT GA 32 M32 50 A1	Hood revos basic made of aluminum, for double locking lever or. screw cap with threaded hole M32 on the right side, low version, 32-poles
70.350.3235.2	Hood BAS GOT GA 32 M32 50 A2	Hood revos basic made of aluminum, for double locking lever or. screw cap with nozzle M32 on the right side, low version, 32-poles
70.350.3235.3	Hood BAS GOT GA 32 M32 A3	Hood revos basic made of aluminum, for double locking lever or. screw cap with trumpet gland M32 on the right side (IP54), low version, 32-poles
70.352.3235.0	Hood BAS GOT GC 32 M32 50 A0	Hood revos basic made of aluminum, for double locking lever or. screw cap with cable gland M32 on the top (IP54), low version, 32-poles
70.352.3235.1	Hood BAS GOT GC 32 M32 50 A1	Hood revos basic made of aluminum, for double locking lever or. screw cap with threaded hole M32 on the top, low version, 32-poles
70.352.3235.2	Hood BAS GOT GC 32 M32 50 A2	Hood revos basic made of aluminum, for double locking lever or. screw cap with nozzle M32 on the top, low version, 32-poles
70.352.3235.3	Hood BAS GOT GC 32 M32 A3	Hood revos basic made of aluminum, for double locking lever or. screw cap with trumpet gland M32 on the top (IP54), low version, 32-poles
70.353.3235.1	Hood BAS GOT GA 32 M40 50 A1	Hood revos basic made of aluminum, for double locking lever or. screw cap with threaded hole M40 on the right side, low version, 32-poles
70.353.3235.2	Hood BAS GOT GA 32 M40 50 A2	Hood revos basic made of aluminum, for double locking lever or. screw cap with nozzle M40 on the right side, low version, 32-poles
70.354.3235.1	Hood BAS GOT GC 32 M40 50 A1	Hood revos basic made of aluminum, for double locking lever or. screw cap with threaded hole M40 on the top, low version, 32-poles
70.354.3235.2	Hood BAS GOT GC 32 M40 50 A2	Hood revos basic made of aluminum, for double locking lever or. screw cap with nozzle M40 on the top, low version, 32-poles
70.320.3228.0	Bottom BAS GUT GA 32 50 A	Bottom-base revos basic made of aluminum, with double locking lever or. screw cap, low version, 32-poles
70.300.3253.0	Female insert BAS BUS 32 2,5 50	Female insert revos basic, 32-poles, rated current: 16A, rated voltage:500V, with tin-plated contacts
70.500.3253.0	Female insert BAS BUF 32 2,5 50	Female insert revos basic, 32-poles, rated current: 16A, rated voltage:500V, with tin-plated contacts
70.700.3253.0	Female insert BAS BUC 32 50	Female insert revos basic, 32-poles, rated current: 16A, rated voltage:500V, with tin-plated contacts



Weitergabe sowie Vervielfältigung dieses Dokuments, Verwertung und Mitteilung seines Inhalts sind verboten, soweit nicht ausdrücklich gestattet. Die Reproduktion, Distribution und Utilization of this document as well as the communication of its contents to others without express authorization is prohibited.

Zeichnungsnummer
70.710.3253.010W
Steckereinsatz

Steckereinsatz
70.710.3253.0

08.11.2007
Hoffmann Angelika
M 1:1