

Data sheet

Commercial Art.No.: 70.350.3235.3

Hood BAS GOT GA 32 M32 A3

Hood revos basic made of aluminum, for double locking lever or screw cap with trumpet gland M32 on the right side (IP54), low version, 32-poles



| | |
|--------------------|---------------|
| Commercial Art.No. | 70.350.3235.3 |
| EAN | 4015573647480 |
| Order Unit | 1 |

Certificates / Approvals



Technical data

General

| | |
|--|---------------------|
| Housing material | aluminum |
| Color | Grey |
| Surface | With powder coating |
| Degree of protection (IP) | IP54 |
| UV resistant | yes |
| Inflammability class of insulation material acc. with UL94 | Other |
| Operating temperature range min. | -40 °C |
| Operating temperature range max. | 120 °C |

Model

| | |
|------------------------|-----------------------|
| Construction | 32 |
| Locking mechanism | Double locking levers |
| Cable entry | Sideways |
| Type of cable | Gland nut |
| With cable screw gland | yes |
| Thread size M | 32 |
| Thread size PG | |
| Hinged lid | No |
| EMC-version | No |
| Length | 94 mm |
| Width | 83 mm |
| Height | 94 mm |

Classification

| | |
|------------|----------|
| ECLASS 11 | |
| ECLASS 8.1 | 27440202 |
| ETIM 7.0 | EC000437 |
| ETIM 6.0 | EC000437 |
| ETIM 5.0 | EC000437 |
| ETIM 4.0 | EC000437 |
| ETIM 3.0 | EC000437 |

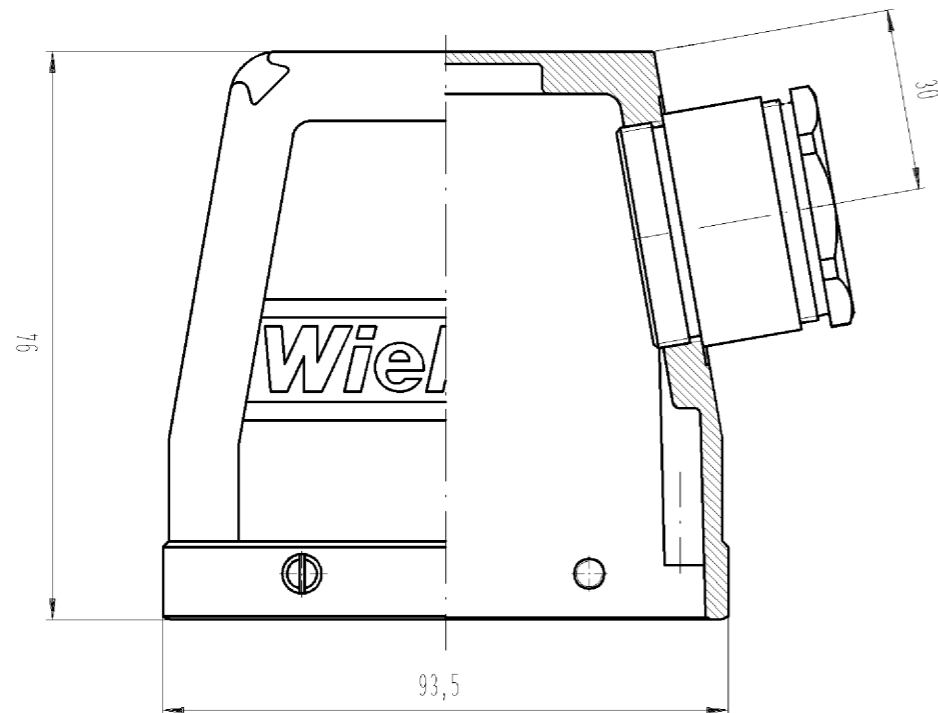
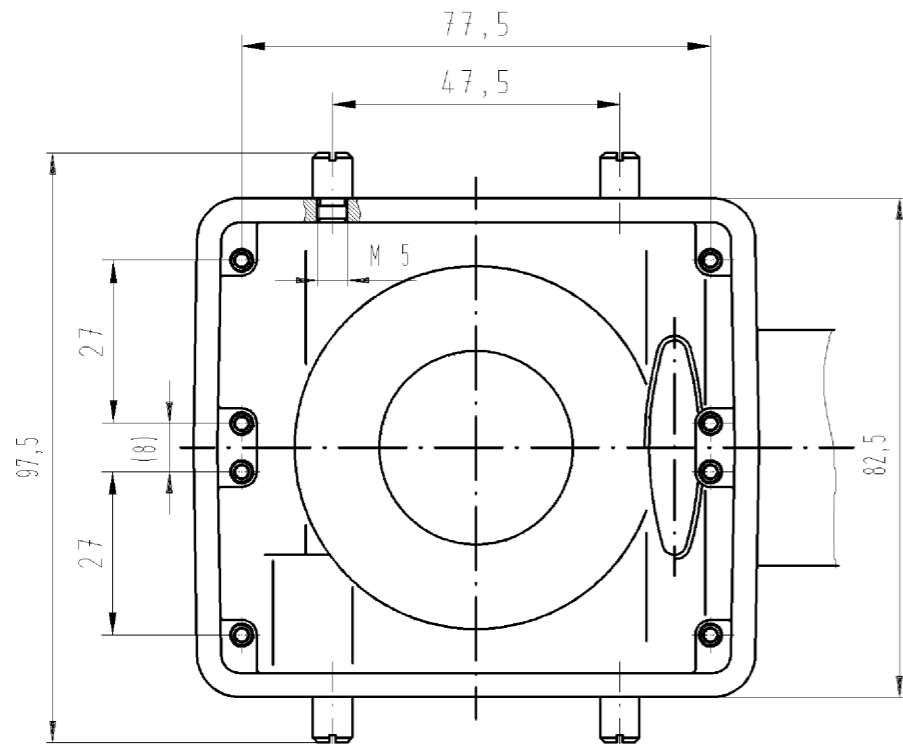
Product compliance

| | |
|------------------------------|--------------------|
| ROHS conformity status | Compliant/Exempted |
| ROHS exceptions | III-6(c) |
| REACH-SVHC conformity status | Duty-To-Declare |
| REACH-SVHC substances | Lead |
| REACH-SVHC CAS numbers | 7439-92-1 |

Fits with

| Commercial Art.No.: | Article-type description: | Description: |
|---------------------|---------------------------------|---|
| 70.300.3253.0 | Female insert BAS BUS 32 2,5 50 | Female insert revos basic, 32-poles, rated current: 16A, rated voltage:500V, with tin-plated contacts |
| 70.310.3253.0 | Male insert BAS STS 32 2,5 50 | Male insert revos basic, 32-poles, rated current: 16A, rated voltage: 500V, with tin-plated contacts |
| 70.500.3253.0 | Female insert BAS BUF 32 2,5 50 | Female insert revos basic, 32-poles, rated current: 16A, rated voltage:500V, with tin-plated contacts |
| 70.510.3253.0 | Male insert BAS STF 32 2,5 50 | Male insert revos basic, 32-poles, rated current: 16A, rated voltage: 500V, with tin-plated contacts |
| 70.700.3253.0 | Female insert BAS BUC 32 50 | Female insert revos basic, 32-poles, rated current: 16A, rated voltage:500V, with tin-plated contacts |
| 70.710.3253.0 | Male insert BAS STC 32 50 | Male insert revos basic, 32-poles, rated current: 16A, rated voltage: 500V, with tin-plated contacts |
| 72.300.3253.0 | Female insert BAS BUS 32 2,5 69 | Female insert revos basic, 32-poles, rated current: 16A, rated voltage:690V, with tin-plated contacts |
| 72.310.3253.0 | Male insert BAS STS 32 2,5 69 | Male insert revos basic, 32-poles, rated current: 16A, rated voltage: 690V, with tin-plated contacts |
| 73.700.8058.0 | Female insert HD BUC 80 25 | revos BASIC HD 80 pole + ground, female insert 250V/10A, crimp connection |
| 73.710.8058.0 | Male insert HD STC 80 25 | revos BASIC HD 80 pole + ground, male insert 250V/10A, crimp connection |

Diese Maße werden bei Abnahme besonders geprüft
 Ausschließlich Prüfmaße
 Mit /E gekennzeichnete Maße sind nur für interne Zwecke gültig



Ausführung .0
version .0

Kabelverschraubung M32
cable gland M32

| Teile-Nr. part no. | Typ type |
|-----------------------|-------------------------|
| 70.350.3235.0 | BAS GOT GA 32 M32 50 A0 |
| 70.350.3235.1 | BAS GOT GA 32 M32 50 A1 |
| 70.350.3235.2 | BAS GOT GA 32 M32 50 A2 |
| 70.350.3235.3 | BAS GOT GA 32 M32 50 A3 |
| 70.350.3235.4 | BAS GOT GA 32 M32 50 A4 |
| 70.350.3235.5 | BAS GOT GA 32 M32 50 A5 |

| | | |
|---|--|--|
| Gewinde M32 thread M32 <u>Ausführung .1</u> <u>version .1</u> | Kabeldurchführung M32 mit Zugentlastung und Biegeschutz cable gland M32 with strain relief and bending protection <u>Ausführung .3</u> <u>version .3</u> | <u>Ausführung .5</u> <u>version .5</u> Kabelverschraubung M32 cable gland M32 |
| Stützen M32 intermediate support with thread M32 <u>Ausführung .2</u> <u>version .2</u> | Kabelverschraubung M32 mit Zugentlastung und Knickschutz cable gland M32 with strain relief and kink protection <u>Ausführung .4</u> <u>version .4</u> | IP 65 |

| Freitoleranz nach | | CAD - Zeichnung, keine manuellen Änderungen | | | 1. Verwendung: - | | Bl.: 1 von 1 | | |
|-------------------|---------------|---|---|-----------|---|----------|---------------|------------------------------------|-------|
| | / | Maßstab | Werkstoff und Oberfläche: | 2003 | Tag | Name | T | Zeichnung Nr. 70.350.3235.0 01K | Index |
| | / | z | Farbe: silbergrau colour: silvergrey | Entworfen | 10.07. | Bauer F. | | | |
| | / | Vol. | mm ³ Dtl. mm ² | Geprüft | - | - | | | |
| | / | | | Normgepr. | - | - | Ersatz für: - | | |
| | / | wieland Elektrische Verbindungen | | | Benennung | | | | |
| | / | | | | GEHAEUSEOBERTE IL Größe 32 bzw. 80 / M32 schmale Seite HOOD size 32 or rather 80 / M32 narrow side | | | | |
| Buchstabe | Datum / Blatt | Änderung | | | | | | | |

Weitergabe sowie Vervielfältigung dieses Dokuments, Verwertung und Mitteilung
 seines Inhalts sind verboten, soweit nicht ausdrücklich gestattet.
 The reproduction, distribution and utilization of this document as well as the
 communication of its contents to others without express authorization is prohibited.

1
2
3
4
5
6
7
8
9
10
11
12
13
14
15
16
17
18
19
20
M1
M2
M3
L
G
1.1
2.1
1.1