

## Data sheet

Commercial Art.No.: 70.341.4835.1

Bottom BAS GUT GS 48 M32 50 A1

Bottom-base revos basic made of aluminum, with single locking lever and threaded hole M32 on the left side, with protective cover, low version, 48-polig



Commercial Art.No.	70.341.4835.1
EAN	4015573632301
Order Unit	1

Certificates / Approvals



## Technical data

### General

Housing material	aluminum
Color	Grey
Surface	With powder coating
Degree of protection (IP)	Other
UV resistant	yes
Inflammability class of insulation material acc. with UL94	Other
Operating temperature range min.	-40 °C
Operating temperature range max.	120 °C

### Model

Construction	48
Locking mechanism	Single locking lever
Cable entry	Sideways
Type of cable	Thread
With cable screw gland	No
Thread size M	32
Thread size PG	
Hinged lid	yes
EMC-version	No
Length	146 mm
Width	120 mm
Height	117 mm

### Classification

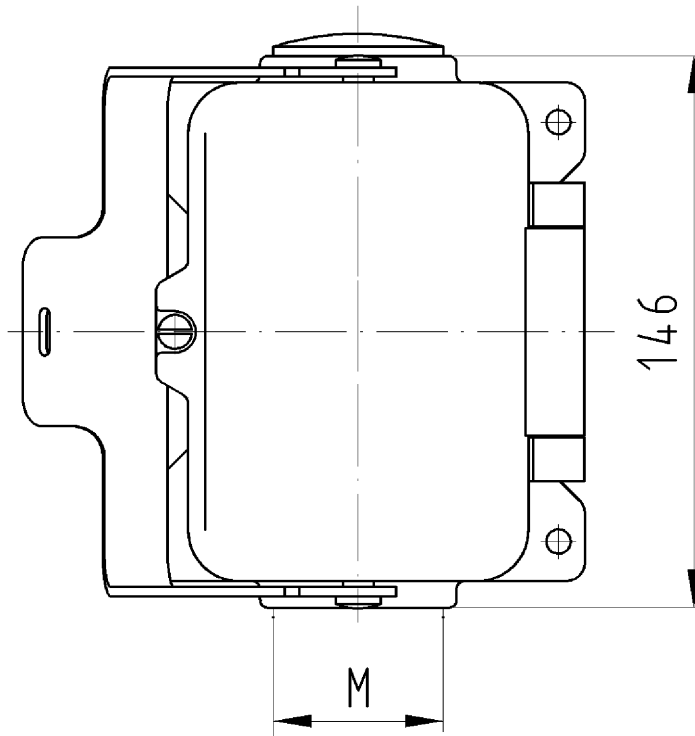
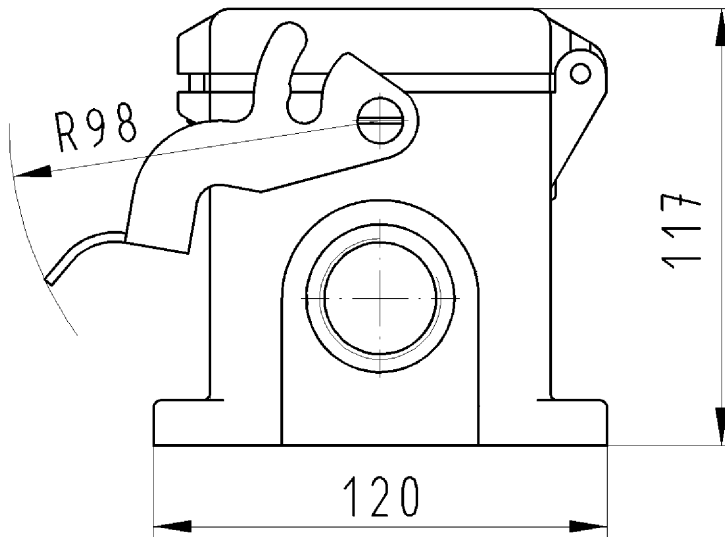
ECLASS 11	
ECLASS 8.1	27440202
ETIM 7.0	EC000437
ETIM 6.0	EC000437
ETIM 5.0	EC000437
ETIM 4.0	EC000437
ETIM 3.0	EC000437

#### Product compliance

ROHS conformity status	Compliant/Exempted
ROHS exceptions	III-6(c)
REACH-SVHC conformity status	Duty-To-Declare
REACH-SVHC substances	Lead
REACH-SVHC CAS numbers	7439-92-1

#### Fits with

Commercial Art.No.:	Article-type description:	Description:
70.300.4840.0	Female insert BAS BUS 48 2,5 50	Female insert revos basic, 48-poles, rated current: 16A, rated voltage:500V, with tin-plated contacts
70.310.4840.0	Male insert BAS STS 48 2,5 50	Male insert revos basic, 48-poles, rated current: 16A, rated voltage: 500V, with tin-plated contacts
70.500.4853.0	Female insert BAS BUF 48 2,5 50	Female insert revos basic, 48-poles, rated current: 16A, rated voltage:500V, with tin-plated contacts
70.510.4853.0	Male insert BAS STF 48 2,5 50	Male insert revos basic, 48-poles, rated current: 16A, rated voltage: 500V, with tin-plated contacts
70.700.4858.0	Female insert BAS BUC 48 50	Female insert revos basic, 48-poles, rated current: 16A, rated voltage:500V, with tin-plated contacts
70.710.4858.0	Male insert BAS STC 48 50	Male insert revos basic, 48-poles, rated current: 16A, rated voltage: 500V, with tin-plated contacts
72.300.4853.0	Female insert BAS BUS 48 2,5 69	Female insert revos basic, 48-poles, rated current: 16A, rated voltage:690V, with tin-plated contacts
72.310.4853.0	Male insert BAS STS 48 2,5 69	Male insert revos basic, 48-poles, rated current: 16A, rated voltage: 690V, with tin-plated contacts



Gehäuseunterteil  
 70.341.4835.1  
 70.344.4835.1

Zeichnungsnummer  
 70.341.4835.110W  
 Gehäuseunterteil

23.11.2007  
 Roppelt Dominik  
 M 1:2