

Data sheet

Commercial Art.No.: 25.840.0453.0

PCB connector 8213 BFK / 4 TOP

PCB female connector with tension spring connection, 4 poles, printed version, max. cross section: 2.5 mm², pitch: 5.08 mm, type of packing: carton, color: grey



| | |
|--------------------|---------------|
| Commercial Art.No. | 25.840.0453.0 |
| EAN | 4015573562448 |
| Order Unit | 50 |

Certificates / Approvals



Technical data

General

| | |
|------------------------------------|-------------------------|
| Modular spacing | 5.08 mm |
| Connection type | spring clamp connection |
| Soldering process | None |
| Packaging | Carton |
| Number of poles | 4 |
| Marking | yes |
| Fastening | None |
| Mating direction towards connector | 180° |

Technical data

| | |
|--------------------------|---------------------|
| Nominal cross section | 2.5 mm ² |
| Rated current | 12 A |
| Overvoltage Category I | 1000 V |
| Overvoltage Category II | 400 V |
| Overvoltage Category III | 250 V |
| Rated impulse voltage | 4 kV |
| Wire strip length | 11 mm |

Connection Data

| | |
|-------------------------------------|----------------------|
| Minimum cross section solid | 0.14 mm ² |
| Maximum cross section solid | 2.5 mm ² |
| Minimum cross section fine stranded | 0.14 mm ² |
| Maximum cross section fine stranded | 2.5 mm ² |
| Wire strip length | 11 mm |

Technical Data UL/CSA

| | |
|------------------|-----------|
| Cross section UL | 22-12 AWG |
|------------------|-----------|

| | |
|------------------------|-----------|
| Voltage UL | 300 V |
| Current field wiring | 12 A |
| Current factory wiring | 12 A |
| Cross section CSA | 22-16 AWG |
| Voltage CSA | 300 V |
| Current CSA | 12 A |

Other

| | |
|-----------------------------|---------------|
| Type of insulation material | Thermoplastic |
| Color | Grey |
| Height | 15 mm |
| Length | 20.32 mm |
| Depth | 24.3 mm |
| Material attachment screw | None |
| Material contact base | Steel |
| Material contact surface | Sn |

Classification

| | |
|------------|----------|
| ECLASS 11 | |
| ECLASS 8.1 | 27440402 |
| ETIM 7.0 | EC002637 |
| ETIM 6.0 | EC002637 |
| ETIM 5.0 | EC002637 |
| ETIM 4.0 | EC002637 |

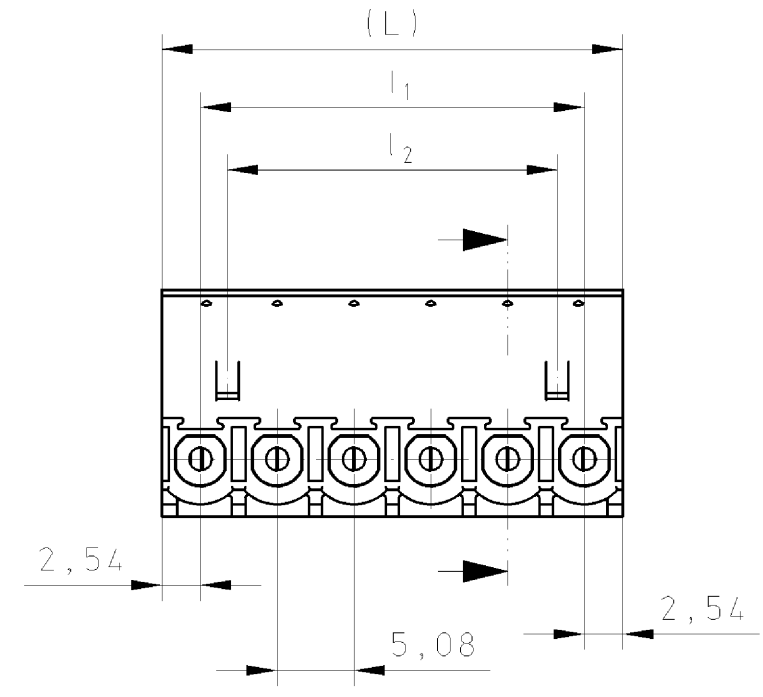
Fits with

| Commercial Art.No.: | Article-type description: | Description: |
|---------------------|---------------------------------------|---|
| 25.857.3453.0 | PCB pin header 8213 SUFK / 4 TOP OB | PCB pin header with tension spring connection, 4 poles, max. cross section: 2.5 mm ² , pitch: 5.08 mm, type of packing: carton, color: grey |
| 25.857.0453.0 | PCB pin header 8213 SUFK / 4 TOP | PCB pin header with tension spring connection, 4 poles, printed version, max. cross section: 2.5 mm ² , pitch: 5.08 mm, type of packing: carton, color: grey |
| 25.352.3453.0 | PCB pin header 8213 S / 4 W OB | PCB pin header, connection method depends on used socket part , 4 poles, pitch: 5.08 mm, type of packing: carton, color: grey |
| 25.350.3453.0 | PCB pin header 8213 S / 4 G OB | PCB pin header, connection method depends on used socket part , 4 poles, pitch: 5.08 mm, type of packing: carton, color: grey |
| 99.204.9996.2 | PCB pin header 8213 S / 4 W OB OF | PCB pin header, connection method depends on used socket part , 4 poles, pitch: 5.08 mm, type of packing: carton, color: white |
| 99.234.9996.1 | PCB pin header 8213 S / 4 G OB OF | PCB pin header, connection method depends on used socket part , 4 poles, pitch: 5.08 mm, type of packing: carton, color: black |
| 25.396.3453.0 | PCB pin header 8213 S / 4 S OB | PCB pin header, connection method depends on used socket part , 4 poles, pitch: 5.08 mm, type of packing: carton, color: grey |
| 27.356.0453.0 | PCB pin header 8213 SEG/ 4/ 8 W OB | PCB pin header, 4 poles, pitch: 5.08 mm, type of packing: carton, color: grey |
| 26.350.3406.0 | PCB pin header 8213 S / 4 G OF OB THR | PCB pin header, connection method depends on used socket part , 4 poles, with solder pin (2.6mm, tin plated), pitch: 5.08 mm, type of packing: carton, color: black, This product can be soldered by reflow and wave soldering, |

| | | |
|---------------|------------------------------------|---|
| 25.350.3406.0 | PCB pin header 8213 S / 4 G OB THR | PCB pin header, connection method depends on used socket part , 4 poles, with solder pin (2.6mm, tin plated), pitch: 5.08 mm, type of packing: carton, color: black, This product can be soldered by reflow and wave soldering, |
| 25.352.3406.0 | PCB pin header 8213 S / 4 W OB THR | PCB pin header, connection method depends on used socket part , 4 poles, with solder pin (2.6mm, tin plated), pitch: 5.08 mm, type of packing: carton, color: black, This product can be soldered by reflow and wave soldering, |

These dimensions will be especially checked at delivery
Only inspection dimensions
With /E marked dimensions are only valid for internal use

Diese Maße werden bei Abnahme besonders geprüft
Ausschließlich Prüfmaße
Mit /E gekennzeichnete Maße sind nur für interne Zwecke gültig



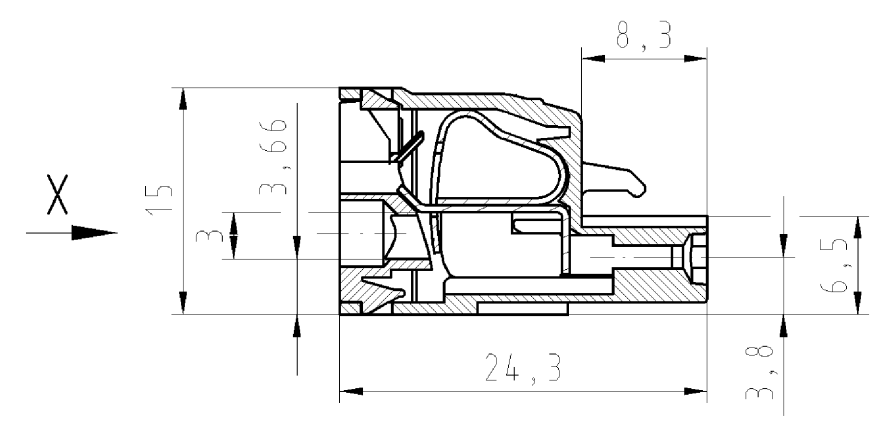
gezeichnete Ausführung: 6-polig
drawn version: 6-poles

| Teile - Nr. part - no. | Polzahl pole | (L) | l ₁ | l ₂ | Typ type |
|---------------------------|-----------------|--------|----------------|----------------|-------------------|
| 25.840.0253.F | 2 | 10,16 | 5,08 | - | 8213 BFK/ 2 TOP K |
| 25.840.0353.F | 3 | 15,24 | 10,16 | 6,58 | 8213 BFK/ 3 TOP K |
| 25.840.0453.F | 4 | 20,32 | 15,24 | 11,66 | 8213 BFK/ 4 TOP K |
| 25.840.0553.F | 5 | 25,40 | 20,32 | 16,74 | 8213 BFK/ 5 TOP K |
| 25.840.0653.F | 6 | 30,48 | 25,40 | 21,82 | 8213 BFK/ 6 TOP K |
| 25.840.0753.F | 7 | 35,56 | 30,48 | 26,90 | 8213 BFK/ 7 TOP K |
| 25.840.0853.F | 8 | 40,64 | 35,56 | 31,98 | 8213 BFK/ 8 TOP K |
| 25.840.0953.F | 9 | 45,72 | 40,64 | 37,06 | 8213 BFK/ 9 TOP K |
| 25.840.1053.F | 10 | 50,80 | 45,72 | 42,14 | 8213 BFK/10 TOP K |
| 25.840.1153.F | 11 | 55,88 | 50,80 | 47,22 | 8213 BFK/11 TOP K |
| 25.840.1253.F | 12 | 60,96 | 55,88 | 52,30 | 8213 BFK/12 TOP K |
| 25.840.1353.F | 13 | 66,04 | 60,96 | 57,38 | 8213 BFK/13 TOP K |
| 25.840.1453.F | 14 | 71,12 | 66,04 | 62,46 | 8213 BFK/14 TOP K |
| 25.840.1553.F | 15 | 76,20 | 71,12 | 67,54 | 8213 BFK/15 TOP K |
| 25.840.1653.F | 16 | 81,28 | 76,20 | 72,62 | 8213 BFK/16 TOP K |
| 25.840.1753.F | 17 | 86,36 | 81,28 | 77,70 | 8213 BFK/17 TOP K |
| 25.840.1853.F | 18 | 91,44 | 86,36 | 82,78 | 8213 BFK/18 TOP K |
| 25.840.1953.F | 19 | 96,52 | 91,44 | 87,86 | 8213 BFK/19 TOP K |
| 25.840.2053.F | 20 | 101,60 | 96,52 | 92,94 | 8213 BFK/20 TOP K |
| 25.840.2153.F | 21 | 106,68 | 101,60 | 98,02 | 8213 BFK/21 TOP K |
| 25.840.2253.F | 22 | 111,76 | 106,68 | 103,10 | 8213 BFK/22 TOP K |
| 25.840.2353.F | 23 | 116,84 | 111,76 | 108,18 | 8213 BFK/23 TOP K |
| 25.840.2453.F | 24 | 121,92 | 116,84 | 113,26 | 8213 BFK/24 TOP K |

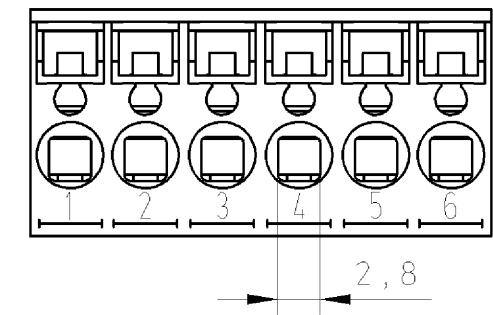
.F Farbe:
colour:

0 grau/grey
Bedruckung: schwarz
printing: black

7 grün/green
Bedruckung: schwarz
printing: black



Ansicht "X"
view "X"



Weitere Daten siehe Katalog
further data see catalog

| | | | |
|--|--|---|---|
| Tolerierung nach DIN 7167/Tolerance system acc. to DIN 7167. [This DIN-standard describes the envelope principle. According to the envelope principle the deviations of form and parallelism are limited by the size tolerances]. | | ja/yes <input checked="" type="checkbox"/> Stoffverbots- und Deklarationsliste nach UU-TQM-05/03 ist einzuhalten. Conformity with Wieland document UU-TQM-05/03 (list of prohibited / declarable hazardous substances) to be declared! | |
| Freitoleranz nach General tolerance | | CAD - Zeichnung, keine manuellen Änderungen CAD - drawing, no manual modifications allowed | 1. Verwendung: - First Use: |
| | | Blatt: 1 von 1 Sheet: of 1 | |
| Werkstoff/Material | | 2008 Tag/Date Name | Zeichnung Nr./Drawing No. T 25.840.0253.0 01K |
| Maßstab/Scale 2:1 | | gezeichnet/drawn geprüft/checked Nicht gepr. / Stand. check | |
| Vol. mm ³ / Ofl./Surf. mm ² | | Ersatz für/Replacement for: - | |
| Index Datum / Blatt Date / Sheet | | Type Benennung/Title PCB terminal LP_STECKKLEMME mit Federkraftanschluß, Rastermaß 5,08mm with spring clamp connection, pitch 5,08mm | |
| Änderung/Revision | | Elektrische Verbindungen | |

Weitergabe sowie Vervielfältigung dieses Dokuments, Verwertung und Mitteilung seines Inhalts sind verboten, soweit nicht ausdrücklich gestattet.
The reproduction, distribution and utilization of this document as well as the communication of its contents to others without express authorization is prohibited.

258400253001K_4_CADW1044_treschan 2008-02-25T10:53:33 1:000