

## Data sheet

Commercial Art.No.: 25.881.3453.0

PCB connector 8413 BFK / 4 TOP F OB

PCB female connector with tension spring connection, 4 poles, max. cross section: 2.5 mm<sup>2</sup>, pitch: 7.62 mm, type of packing: carton, color: grey



Commercial Art.No.	25.881.3453.0
EAN	4015573621572
Order Unit	50

Certificates / Approvals



## Technical data

### General

Modular spacing	7.62 mm
Connection type	spring clamp connection
Soldering process	None
Packaging	Carton
Number of poles	4
Marking	No
Fastening	Flange
Mating direction towards connector	180°

### Technical data

Nominal cross section	2.5 mm <sup>2</sup>
Rated current	12 A
Overvoltage Category I	1000 V
Overvoltage Category II	690 V
Overvoltage Category III	400 V
Rated impulse voltage	4 kV
Wire strip length	11 mm

### Connection Data

Minimum cross section solid	0.2 mm <sup>2</sup>
Maximum cross section solid	2.5 mm <sup>2</sup>
Minimum cross section fine stranded	0.14 mm <sup>2</sup>
Maximum cross section fine stranded	2.5 mm <sup>2</sup>
Wire strip length	11 mm

### Technical Data UL/CSA

Cross section UL	22-12 AWG
Voltage UL	300 V
Current field wiring	12 A
Current factory wiring	12 A
Cross section CSA	22-12 AWG

Voltage CSA	300 V
Current CSA	15 A

**Other**

Type of insulation material	Thermoplastic
Color	Grey
Height	15 mm
Length	28.36 mm
Depth	24.3 mm
Material attachment screw	None
Material contact base	Steel
Material contact surface	Sn

**Classification**

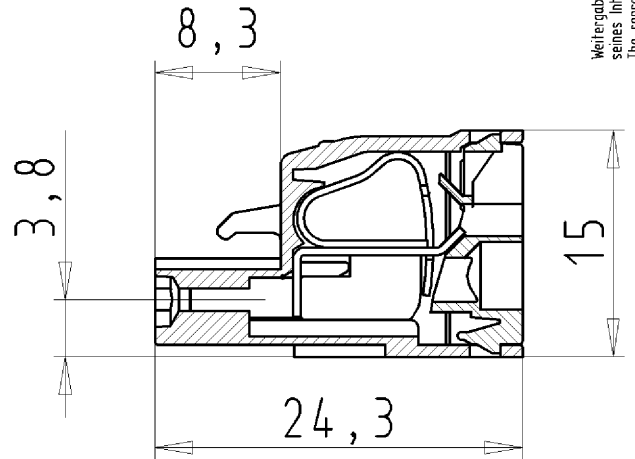
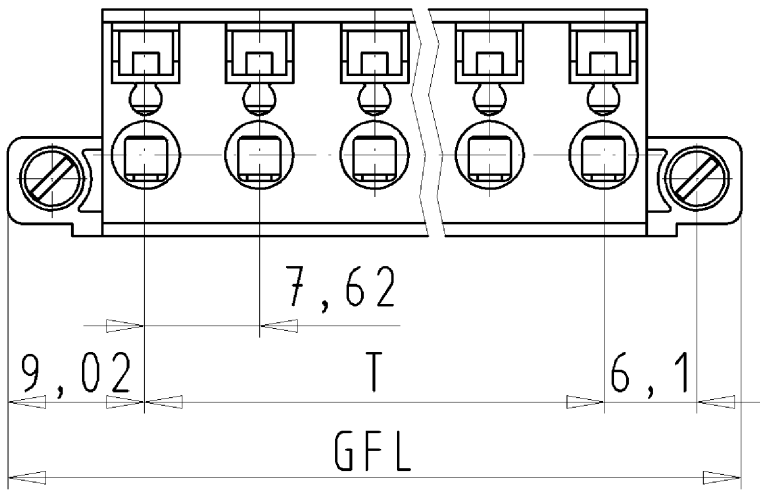
ECLASS 11	
ECLASS 8.1	27440402
ETIM 7.0	EC002637
ETIM 6.0	EC002637
ETIM 5.0	EC002637
ETIM 4.0	EC002637

**Product compliance**

ROHS conformity status	Compliant
REACH-SVHC conformity status	Compliant

**Fits with**

Commercial Art.No.:	Article-type description:	Description:
25.398.2453.0	PCB pin header 8413 S / 4 WF OB	PCB pin header with pin header, connection method depends on used socket part , 4 poles, pitch: 7.62 mm, type of packing: carton, color: grey
25.398.6453.0	PCB pin header 8413 S / 4 GF OB	PCB pin header with pin header, connection method depends on used socket part , 4 poles, pitch: 7.62 mm, type of packing: carton, color: grey



Weitergabe sowie Vervielfältigung dieses Dokuments, Verwertung und Mitteilung seines Inhalts sind verboten, soweit nicht ausdrücklich gestattet. Die Reproduktion, Distribution und Utilization of this document as well as the communication of its contents to others without express authorization is prohibited.

für folgende Tabellen-Zchnng.:  
 25.881.3253.0 8413 BFK/.. F OB

LP. STECKKLEMME  
 25.881.3253.0 10W  
 22.11.2007 SCJ  
 M 2:1