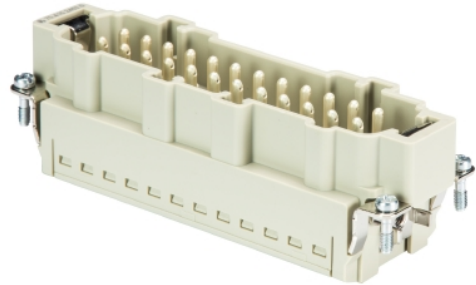


Data sheet

Commercial Art.No.: 70.415.2453.0

Male insert BAS STP 24 2,5 50 AG

Male insert revos basic, 24-poles, rated current: 16A, rated voltage: 500V, with silver-plated contacts



Commercial Art.No.	70.415.2453.0
EAN	4049088257971
Order Unit	1

Certificates / Approvals



Technical data

General

Model	Pin insert
Inflammability class of insulation material acc. with UL94	V0
Color	Grey
Mating cycles	500
Pollution degree	3
Modular version	No
Operating temperature range min.	-40 °C
Operating temperature range max.	120 °C

Connection Data

Connection type	Plug-in connection
Number of poles	24
Total number of poles (without ground contact)	24
With wire protection	No
Min. conductor diameter rigid (solid/stranded)	0.5 mm ²
Max. conductor diameter rigid (solid/stranded)	2.5 mm ²

Technical Data UL/CSA

Rated voltage according to UL/CSA	600 V
Rated current according UL	13 A
Rated current according CSA	13 A
Min. conductor cross section flexible wire	26 AWG
Max. conductor cross section flexible wire	14 AWG

Model

With housing	No
--------------	----

Contacts

Contact material	Copper alloy
Surface	Silver-plated
Contact resistance	≤ 5 mOhm
Wire strip length	9 mm

Technical Data DIN EN 61984

Nominal voltage	500 V
Nominal current	16 A
Rated impulse voltage	6 kV

Classification

ECLASS 11	
ECLASS 8.1	27440205
ETIM 7.0	EC000438
ETIM 6.0	EC000438
ETIM 5.0	EC000438

Product compliance

ROHS conformity status	Compliant
REACH-SVHC conformity status	Compliant

Accessories

Commercial Art.No.:	Article-type description:	Description:
Z5.553.2921.0	Test plug ST 2 / 2.3 ROT	Test plug 2.3 mm, color: red

Fits with

Commercial Art.No.:	Article-type description:	Description:
70.100.2453.3	Multipole adapter BAS BAS LL 24 4,0 50	Multipole adapter revos BASIC 500V/16A screw connection 24 pole + ground, long design, female insert, ground left
70.100.2453.4	Multipole adapter BAS BAS KL 24 4,0 50	Multipole adapter revos BASIC 500V/16A screw connection 24 pole + ground, short design, female insert, ground left
70.105.2453.3	Multipole adapter BAS BAS LR 24 4,0 50	Multipole adapter revos BASIC 500V/16A screw connection 24 pole + ground, long design, female insert, ground right
70.105.2453.4	Multipole adapter BAS BAS KR 24 4,0 50	Multipole adapter revos BASIC 500V/16A screw connection 24 pole + ground, short design, female insert, ground right
70.940.2453.3	Multipole adapter set BAS GAZSHLB24 4,0 50	Multipole adapter revos BASIC 500V/16A with base, screw connection 24 pole + ground, long design, female insert, ground left, double locking lever
70.940.2453.4	Multipole adapter set BAS GAZSNLB24 4,0 50	Multipole adapter revos BASIC 500V/16A with base, screw connection 24 pole + ground, short design, female insert, ground left, double locking lever
70.945.2453.3	Multipole adapter set BAS GAZSHRB24 4,0 50	Multipole adapter revos BASIC 500V/16A with base, screw connection 24 pole + ground, long design, female insert, ground right, double locking lever
70.945.2453.4	Multipole adapter set BAS GAZSNRB24 4,0 50	Multipole adapter revos BASIC 500V/16A with base, screw connection 24 pole + ground, short design, female insert, ground right, double locking lever

70.500.2453.0	Female insert BAS BUF 24 2,5 50	Female insert revos basic, 24-poles, rated current: 16A, rated voltage:500V, with silver-plated contacts
70.502.2453.0	Female insert BAS BUM 24 2,5 50 AG	Female insert revos basic, 24-poles, rated current: 16A, rated voltage:500V, with silver-plated contacts
70.700.2458.0	Female insert BAS BUC 24 50	Female insert revos basic, 24-poles, rated current: 16A, rated voltage:500V, with tin-plated contacts
71.350.2435.0	Hood BAS GOT GG 24 M25 A0	Hood revos basic made of aluminum, for single locking lever with cable gland M25 on the right side (IP54), low version, 24-poles
71.350.2435.1	Hood BAS GOT GG 24 M25 A1	Hood revos basic made of aluminum, for single locking lever with threaded hole M25 on the right side, low version, 24-poles
71.350.2435.2	Hood BAS GOT GG 24 M25 A2	Hood revos basic made of aluminum, for single locking lever with nozzleM25 on the right side, low version, 24-poles
71.350.2435.3	Hood BAS GOT GG 24 M25 A3	Hood revos basic made of aluminum, for single locking lever with trumpet gland M25 on the right side (IP54), low version, 24-poles
71.352.2435.0	Hood BAS GOT GI 24 M25 A0	Hood revos basic made of aluminum, for single locking lever with cable gland M25 on the top (IP54), low version, 24-poles
71.352.2435.1	Hood BAS GOT GI 24 M25 A1	Hood revos basic made of aluminum, for single locking lever with threaded hole M25 on the top, low version, 24-poles
71.352.2435.2	Hood BAS GOT GI 24 M25 A2	Hood revos basic made of aluminum, for single locking lever with nozzleM25 on the top, low version, 24-poles
71.352.2435.3	Hood BAS GOT GI 24 M25 A3	Hood revos basic made of aluminum, for single locking lever with trumpet gland M25 on the top (IP54), low version, 24-poles
71.353.2435.0	Hood BAS GOT GG 24 M32 A0	Hood revos basic made of aluminum, for single locking lever with cable gland M32 on the right side (IP54), low version, 24-poles
71.353.2435.1	Hood BAS GOT GG 24 M32 A1	Hood revos basic made of aluminum, for single locking lever with threaded hole M32 on the right side, low version, 24-poles
71.353.2435.2	Hood BAS GOT GG 24 M32 A2	Hood revos basic made of aluminum, for single locking lever with nozzleM32 on the right side, low version, 24-poles
71.353.2435.3	Hood BAS GOT GG 24 M32 A3	Hood revos basic made of aluminum, for single locking lever with trumpet gland M32 on the right side (IP54), low version, 24-poles
71.354.2435.0	Hood BAS GOT GI 24 M32 A0	Hood revos basic made of aluminum, for single locking lever with cable gland M32 on the top (IP54), low version, 24-poles
71.354.2435.1	Hood BAS GOT GI 24 M32 A1	Hood revos basic made of aluminum, for single locking lever with threaded hole M32 on the top, low version, 24-poles
71.354.2435.2	Hood BAS GOT GI 24 M32 A2	Hood revos basic made of aluminum, for single locking lever with nozzleM32 on the top, low version, 24-poles
71.354.2435.3	Hood BAS GOT GI 24 M32 A3	Hood revos basic made of aluminum, for single locking lever with trumpet gland M32 on the top (IP54), low version, 24-poles
71.372.2435.0	Hood BAS GOT GL 24 M25 A0	Hood revos basic made of aluminum, with single locking lever and cable gland M25 on the top - free cable connection (IP54), low version, 24-poles
71.372.2435.1	Hood BAS GOT GL 24 M25 A1	Hood revos basic made of aluminum, with single locking lever and threaded hole M25 on the top - free cable connection, low version, 24-poles
71.374.2435.0	Hood BAS GOT GL 24 M32 A0	Hood revos basic made of aluminum, with single locking lever and cable gland M32 on the top - free cable connection (IP54), low version, 24-poles
71.450.2437.1	Hood BAS GOM GG24 M25 B1	Hood revos basic metal-series without coating, for single locking lever with threaded hole M25 on the right side, low version, 24-poles
71.452.2437.1	Hood BAS GOM GI24 M25 B1	Hood revos basic metal-series without coating, for single locking lever with threaded hole M25 on the top, low version, 24-poles
76.350.6435.0	Hood BAS GOT GG 24HM25 50 A0	Hood revos basic made of aluminum, for single locking lever with cable gland M25 on the right side (IP54), low version, 24-poles
76.350.6435.1	Hood BAS GOT GG 24HM25 50 A1	Hood revos basic made of aluminum, for single locking lever with threaded hole M25 on the right side, low version, 24-poles

76.350.6435.3	Hood BAS GOT GG 24H M25 A3	Hood revos basic made of aluminum, for single locking lever with trumpet gland M25 on the right side (IP54), low version, 24-poles
76.351.2435.0	Hood BAS GOT GH 24H M25 A0	Hood revos basic made of aluminum, for single locking lever with cable gland M25 on the front (IP54), low version, 24-poles
76.351.2435.1	Hood BAS GOT GH 24H M25 A1	Hood revos basic made of aluminum, for single locking lever with threaded hole M25 on the front, low version, 24-poles
76.351.2435.3	Hood BAS GOT GH 24H M25 A3	Hood revos basic made of aluminum, for single locking lever with trumpet gland M25 on the front (IP54), low version, 24-poles
76.352.6435.0	Hood BAS GOT GI 24HM25 50 A0	Hood revos basic made of aluminum, for single locking lever with cable gland M25 on the top (IP54), low version, 24-poles
76.352.6435.1	Hood BAS GOT GI 24HM25 50 A1	Hood revos basic made of aluminum, for single locking lever with threaded hole M25 on the top, low version, 24-poles
76.352.6435.3	Hood BAS GOT GI 24H M25 A3	Hood revos basic made of aluminum, for single locking lever with trumpet gland M25 on the top (IP54), low version, 24-poles
76.353.6435.0	Hood BAS GOT GG 24HM32 50 A0	Hood revos basic made of aluminum, for single locking lever with cable gland M32 on the right side (IP54), low version, 24-poles
76.353.6435.1	Hood BAS GOT GG 24HM32 50 A1	Hood revos basic made of aluminum, for single locking lever with threaded hole M32 on the right side, low version, 24-poles
76.353.6435.3	Hood BAS GOT GG 24H M32 A3	Hood revos basic made of aluminum, for single locking lever with trumpet gland M32 on the right side (IP54), low version, 24-poles
76.354.6435.0	Hood BAS GOT GI 24HM32 50 A0	Hood revos basic made of aluminum, for single locking lever with cable gland M32 on the top (IP54), low version, 24-poles
76.354.6435.1	Hood BAS GOT GI 24HM32 50 A1	Hood revos basic made of aluminum, for single locking lever with threaded hole M32 on the top, low version, 24-poles
76.360.6435.1	Hood BAS GOT GG 24H M40 A1	Hood revos basic made of aluminum, for single locking lever with threaded hole M40 on the right side, low version, 24-poles
76.362.6435.1	Hood BAS GOT GI 24H M40 A1	Hood revos basic made of aluminum, for single locking lever with threaded hole M40 on the top, low version, 24-poles
71.320.2428.0	Bottom BAS GUT GK 24 A	Bottom-base revos basic made of aluminum, with single locking lever, open, low version, 24-poles
71.325.2428.0	Bottom BAS GUT GP 24 A	Bottom-base revos basic made of aluminum, with single locking lever, open, low version, 24-poles
71.330.2435.0	Bottom BAS GUT GL 24 M25 A0	Bottom-base revos basic made of aluminum, with single locking lever and cable gland M25 on the right and left side (IP54), low version, 24-polig
71.330.2435.1	Bottom BAS GUT GL 24 M25 A1	Bottom-base revos basic made of aluminum, with single locking lever and threaded hole M25 on the right and left side, low version, 24-polig
71.331.2435.0	Bottom BAS GUT GM 24 M25 A0	Bottom-base revos basic made of aluminum, with single locking lever and cable gland M25 on the left side (IP54), low version, 24-polig
71.331.2435.1	Bottom BAS GUT GM 24 M25 A1	Bottom-base revos basic made of aluminum, with single locking lever and threaded hole M25 on the left side, low version, 24-polig
71.333.2435.0	Bottom BAS GUT GO 24 M25 A0	Bottom-base revos basic made of aluminum, with single locking lever and cable gland M25 on the bottom (IP54), low version, 24-polig
71.333.2435.1	Bottom BAS GUT GO 24 M25 A1	Bottom-base revos basic made of aluminum, with single locking lever and threaded hole M25 on the bottom, low version, 24-polig
71.340.2435.0	Bottom BAS GUT GR 24 M25 A0	Bottom-base revos basic made of aluminum, with single locking lever and cable gland M25 on the right and the left side, with protective cover (IP54), low version, 24-polig
71.340.2435.1	Bottom BAS GUT GR 24 M25 A1	Bottom-base revos basic made of aluminum, with single locking lever and threaded hole M25 on the right and the left side, with protective cover, low version, 24-polig
71.341.2435.0	Bottom BAS GUT GS 24 M25 A0	Bottom-base revos basic made of aluminum, with single locking lever and cable gland M25 on the left side, with protective cover (IP54), low version, 24-polig

71.341.2435.1	Bottom BAS GUT GS 24 M25 A1	Bottom-base revos basic made of aluminum, with single locking lever and threaded hole M25 on the left side, with protective cover, low version, 24-polig
71.342.2435.0	Bottom BAS GUT GT 24 M25 A0	Bottom-base revos basic made of aluminum, with single locking lever and cable gland M25 on the right side, with protective cover (IP54), low version, 24-polig
71.342.2435.1	Bottom BAS GUT GT 24 M25 A1	Bottom-base revos basic made of aluminum, with single locking lever and threaded hole M25 on the right side, with protective cover, low version, 24-polig
71.343.2435.0	Bottom BAS GUT GU 24 M25 A0	Bottom-base revos basic made of aluminum, with single locking lever and cable gland M25 on the bottom, with protective cover (IP54), low version, 24-polig
71.343.2435.1	Bottom BAS GUT GU 24 M25 A1	Bottom-base revos basic made of aluminum, with single locking lever and threaded hole M25 on the bottom, with protective cover, low version, 24-polig
71.420.2437.0	Bottom BAS GUM GK 24 B	Bottom-base revos basic metal-series without coating, open, low version, 24-poles
71.425.2437.0	Bottom BAS GUM GP 24 B	Bottom-base revos basic metal-series without coating, with single locking lever and protective cover, low version, 24-poles
71.430.2437.1	Bottom BAS GUM GL 24 M25 B1	Bottom-base revos basic metal-series without coating, with single locking lever and threaded hole M25 on the right and left side, low version, 24-polig
71.431.2437.1	Bottom BAS GUM GM 24 M25 B1	Bottom-base revos basic metal-series without coating, with single locking lever and threaded hole M25 on the left side, low version, 24-polig
71.440.2437.1	Bottom BAS GUM GR 24 M25 B1	Bottom-base revos basic metal-series without coating, with single locking lever and threaded hole M25 on the right and the left side, with protective cover, low version, 24-polig
71.441.2437.1	Bottom BAS GUM GS 24 M25 B1	Bottom-base revos basic metal-series without coating, with single locking lever and threaded hole M25 on the left side, with protective cover, low version, 24-polig
76.334.6435.0	Bottom BAS GUT GL 24HM32 50 A0	Bottom-base revos basic made of aluminum, with single locking lever and cable gland M32 on the right and left side (IP54), low version, 24-polig
76.334.6435.1	Bottom BAS GUT GL 24HM32 50 A1	Bottom-base revos basic made of aluminum, with single locking lever and threaded hole M32 on the right and left side, low version, 24-polig
76.335.6435.0	Bottom BAS GUT GM 24HM32 50 A0	Bottom-base revos basic made of aluminum, with single locking lever and cable gland M32 on the left side (IP54), low version, 24-polig
76.335.6435.1	Bottom BAS GUT GM 24HM32 50 A1	Bottom-base revos basic made of aluminum, with single locking lever and threaded hole M32 on the left side, low version, 24-polig
76.337.6435.0	Bottom BAS GUT GO 24HM32 50 A0	Bottom-base revos basic made of aluminum, with single locking lever and cable gland M32 on the bottom (IP54), low version, 24-polig
76.337.6435.1	Bottom BAS GUT GO 24HM32 50 A1	Bottom-base revos basic made of aluminum, with single locking lever and threaded hole M32 on the bottom, low version, 24-polig
76.344.6435.0	Bottom BAS GUT GR 24HM32 50 A0	Bottom-base revos basic made of aluminum, with single locking lever and cable gland M32 on the right and the left side, with protective cover (IP54), low version, 24-polig
76.344.6435.1	Bottom BAS GUT GR 24HM32 50 A1	Bottom-base revos basic made of aluminum, with single locking lever and threaded hole M32 on the right and the left side, with protective cover, low version, 24-polig
76.345.6435.0	Bottom BAS GUT GS 24HM32 50 A0	Bottom-base revos basic made of aluminum, with single locking lever and cable gland M32 on the left side, with protective cover (IP54), low version, 24-polig
76.345.6435.1	Bottom BAS GUT GS 24HM32 50 A1	Bottom-base revos basic made of aluminum, with single locking lever and threaded hole M32 on the left side, with protective cover, low version, 24-polig

76.346.6435.0	Bottom BAS GUT GT 24HM32 50 A0	Bottom-base revos basic made of aluminum, with single locking lever and cable gland M32 on the right side, with protective cover (IP54), low version, 24-pole
76.346.6435.1	Bottom BAS GUT GT 24HM32 50 A1	Bottom-base revos basic made of aluminum, with single locking lever and threaded hole M32 on the right side, with protective cover, low version, 24-pole
76.347.6435.1	Bottom BAS GUT GU 24HM32 50 A1	Bottom-base revos basic made of aluminum, with single locking lever and threaded hole M32 on the bottom, with protective cover, low version, 24-pole
70.350.2435.0	Hood BAS GOT GA 24 M25 A0	Hood revos basic made of aluminum, for double locking lever or screw cap with cable gland M25 on the right side (IP54), low version, 24-poles
70.350.2435.1	Hood BAS GOT GA 24 M25 A1	Hood revos basic made of aluminum, for double locking lever or screw cap with threaded hole M25 on the right side, low version, 24-poles
70.350.2435.2	Hood BAS GOT GA 24 M25 A2	Hood revos basic made of aluminum, for double locking lever or screw cap with nozzle M25 on the right side, low version, 24-poles
70.350.2435.3	Hood BAS GOT GA 24 M25 A3	Hood revos basic made of aluminum, for double locking lever or screw cap with trumpet gland M25 on the right side (IP54), low version, 24-poles
70.352.2435.0	Hood BAS GOT GC 24 M25 A0	Hood revos basic made of aluminum, for double locking lever or screw cap with cable gland M25 on the top (IP54), low version, 24-poles
70.352.2435.1	Hood BAS GOT GC 24 M25 A1	Hood revos basic made of aluminum, for double locking lever or screw cap with threaded hole M25 on the top, low version, 24-poles
70.352.2435.2	Hood BAS GOT GC 24 M25 A2	Hood revos basic made of aluminum, for double locking lever or screw cap with nozzle M25 on the top, low version, 24-poles
70.352.2435.3	Hood BAS GOT GC 24 M25 A3	Hood revos basic made of aluminum, for double locking lever or screw cap with trumpet gland M25 on the top (IP54), low version, 24-poles
70.353.2435.0	Hood BAS GOT GA 24 M32 A0	Hood revos basic made of aluminum, for double locking lever or screw cap with cable gland M32 on the right side (IP54), low version, 24-poles
70.353.2435.1	Hood BAS GOT GA 24 M32 A1	Hood revos basic made of aluminum, for double locking lever or screw cap with threaded hole M32 on the right side, low version, 24-poles
70.353.2435.2	Hood BAS GOT GA 24 M32 A2	Hood revos basic made of aluminum, for double locking lever or screw cap with nozzle M32 on the right side, low version, 24-poles
70.353.2435.3	Hood BAS GOT GA 24 M32 A3	Hood revos basic made of aluminum, for double locking lever or screw cap with trumpet gland M32 on the right side (IP54), low version, 24-poles
70.354.2435.0	Hood BAS GOT GC 24 M32 A0	Hood revos basic made of aluminum, for double locking lever or screw cap with cable gland M32 on the top (IP54), low version, 24-poles
70.354.2435.1	Hood BAS GOT GC 24 M32 A1	Hood revos basic made of aluminum, for double locking lever or screw cap with threaded hole M32 on the top, low version, 24-poles
70.354.2435.2	Hood BAS GOT GC 24 M32 A2	Hood revos basic made of aluminum, for double locking lever or screw cap with nozzle M32 on the top, low version, 24-poles
70.354.2435.3	Hood BAS GOT GC 24 M32 A3	Hood revos basic made of aluminum, for double locking lever or screw cap with trumpet gland M32 on the top (IP54), low version, 24-poles
70.355.2435.0	Hood BAS GOT GD 24 M25 A0	Hood revos basic made of aluminum, with double locking lever and cable gland M25 on the right side (IP54), low version, 24-poles
70.355.2435.1	Hood BAS GOT GD 24 M25 A1	Hood revos basic made of aluminum, with double locking lever and threaded hole M25 on the right side, low version, 24-poles

70.355.2435.2	Hood BAS GOT GD 24 M25 A2	Hood revos basic made of aluminum, with double locking lever and nozzleM25 on the right side, low version, 24-poles
70.357.2435.0	Hood BAS GOT GF 24 M25 A0	Hood revos basic made of aluminum, with double locking lever and cable gland M25 on the top (IP54), low version, 24-poles
70.357.2435.1	Hood BAS GOT GF 24 M25 A1	Hood revos basic made of aluminum, with double locking lever and threaded hole M25 on the top, low version, 24-poles
70.357.2435.2	Hood BAS GOT GF 24 M25 A2	Hood revos basic made of aluminum, with double locking lever and nozzleM25 on the top, low version, 24-poles
70.358.2435.0	Hood BAS GOT GD 24 M32 A0	Hood revos basic made of aluminum, with double locking lever and cable gland M32 on the right side (IP54), low version, 24-poles
70.358.2435.1	Hood BAS GOT GD 24 M32 A1	Hood revos basic made of aluminum, with double locking lever and threaded hole M32 on the right side, low version, 24-poles
70.358.2435.2	Hood BAS GOT GD 24 M32 A2	Hood revos basic made of aluminum, with double locking lever and nozzleM32 on the right side, low version, 24-poles
70.359.2435.0	Hood BAS GOT GF 24 M32 A0	Hood revos basic made of aluminum, with double locking lever and cable gland M32 on the top (IP54), low version, 24-poles
70.359.2435.1	Hood BAS GOT GF 24 M32 A1	Hood revos basic made of aluminum, with double locking lever and threaded hole M32 on the top, low version, 24-poles
70.374.2435.0	Hood BAS GOT GK 24 M32 A0	Hood revos basic made of aluminum, with double locking lever and cable gland M32 on the top - free cable connection (IP54), low version, 24-poles
70.374.2435.1	Hood BAS GOT GK 24 M32 50 A1	Hood revos basic made of aluminum, with double locking lever and threaded hole M32 on the top - free cable connection, low version, 24-poles
70.374.2435.3	Hood BAS GOT GK 24 M32 A3	Hood revos basic made of aluminum, with double locking lever and trumpet gland M32 on the top - free cable connection (IP54), low version, 24-poles
72.250.2435.2	Hood POW GOT GA 24 M50 69 A2	Hood revos basic made of aluminum, for double locking lever or screw cap with nozzle M50 on the right side, low version, 24-poles
73.350.6435.0	Hood BAS GOT GA 24HM25 50 A0	Hood revos basic made of aluminum, for double locking lever or screw cap with cable gland M25 on the right side (IP54), low version, 24-poles
73.350.6435.1	Hood BAS GOT GA 24HM25 50 A1	Hood revos basic made of aluminum, for double locking lever or screw cap with threaded hole M25 on the right side, low version, 24-poles
73.350.6435.2	Hood BAS GOT GA 24HM25 50 A2	Hood revos basic made of aluminum, for double locking lever or screw cap with nozzle M25 on the right side, low version, 24-poles
73.350.6435.3	Hood BAS GOT GA 24H M25 A3	Hood revos basic made of aluminum, for double locking lever or screw cap with trumpet gland M25 on the right side (IP54), low version, 24-poles
73.351.2435.0	Hood BAS GOT GB 24H M25 A0	Hood revos basic made of aluminum, for double locking lever and cable gland M25 on the front (IP54), low version, 24-poles
73.351.2435.1	Hood BAS GOT GB 24H M25 A1	Hood revos basic made of aluminum, for double locking lever and threaded hole M25 on the front, low version, 24-poles
73.351.2435.3	Hood BAS GOT GB 24H M25 A3	Hood revos basic made of aluminum, for double locking lever and trumpetgland M25 on the front (IP54), low version, 24-poles
73.352.6435.0	Hood BAS GOT GC 24HM25 50 A0	Hood revos basic made of aluminum, for double locking lever or screw cap with cable gland M25 on the top (IP54), low version, 24-poles
73.352.6435.1	Hood BAS GOT GC 24HM25 50 A1	Hood revos basic made of aluminum, for double locking lever or screw cap with threaded hole M25 on the top, low version, 24-poles
73.352.6435.3	Hood BAS GOT GC 24H M25 A3	Hood revos basic made of aluminum, for double locking lever or screw cap with trumpet gland M25 on the top (IP54), low version, 24-poles

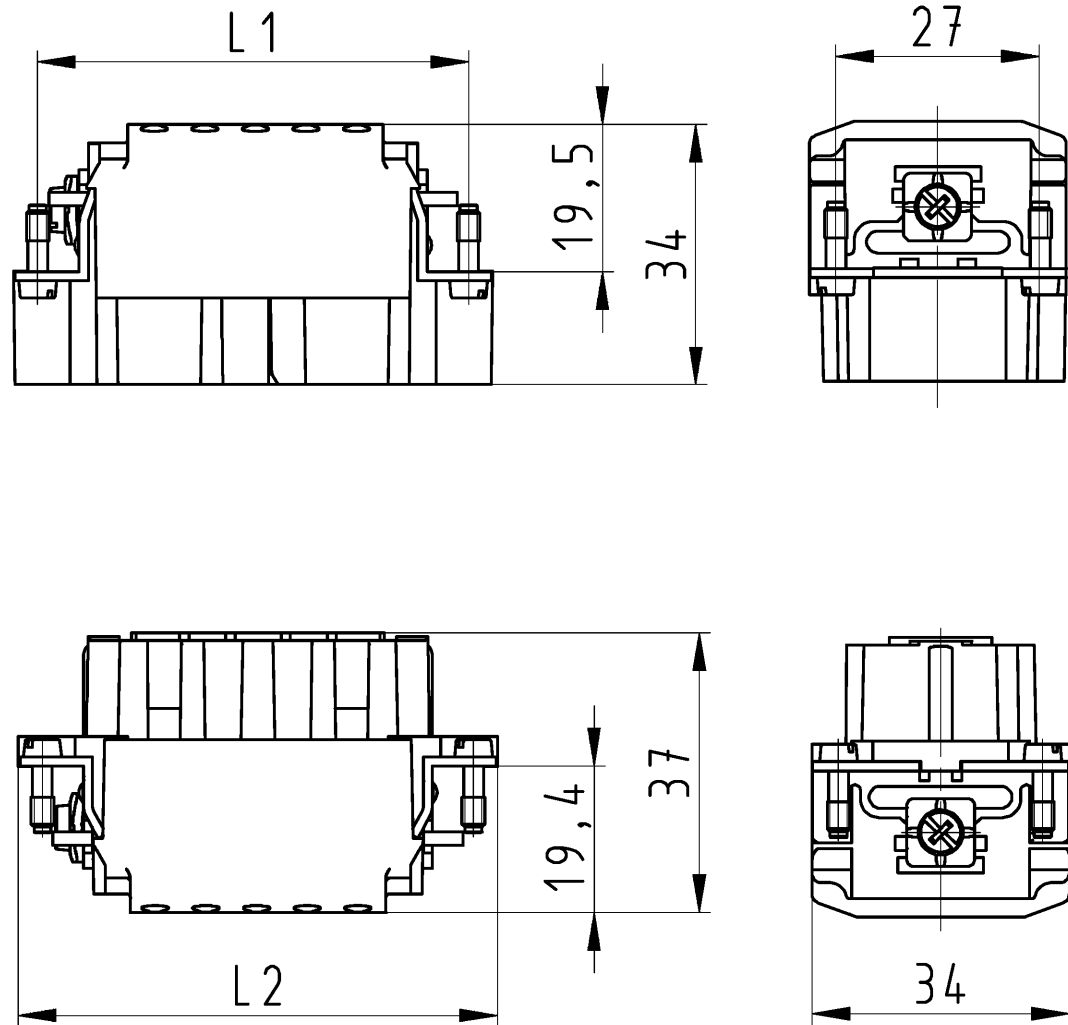
73.353.6435.0	Hood BAS GOT GA 24HM32 50 A0	Hood revos basic made of aluminum, for double locking lever or. screw cap with cable gland M32 on the right side (IP54), low version, 24-poles
73.353.6435.1	Hood BAS GOT GA 24H M32 A1	Hood revos basic made of aluminum, for double locking lever or. screw cap with threaded hole M32 on the right side, low version, 24-poles
73.353.6435.2	Hood BAS GOT GA 24HM32 50 A2	Hood revos basic made of aluminum, for double locking lever or. screw cap with nozzle M32 on the right side, low version, 24-poles
73.353.6435.3	Hood BAS GOT GA 24H M32 A3	Hood revos basic made of aluminum, for double locking lever or. screw cap with trumpet gland M32 on the right side (IP54), low version, 24-poles
73.354.6435.0	Hood BAS GOT GC 24HM32 50 A0	Hood revos basic made of aluminum, for double locking lever or. screw cap with cable gland M32 on the top (IP54), low version, 24-poles
73.354.6435.1	Hood BAS GOT GC 24HM32 50 A1	Hood revos basic made of aluminum, for double locking lever or. screw cap with threaded hole M32 on the top, low version, 24-poles
73.354.6435.3	Hood BAS GOT GC 24HM32 A3	Hood revos basic made of aluminum, for double locking lever or. screw cap with trumpet gland M32 on the top (IP54), low version, 24-poles
73.355.6435.0	Hood BAS GOT GD 24HM25 50 A0	Hood revos basic made of aluminum, with double locking lever and cable gland M25 on the right side (IP54), low version, 24-poles
73.355.6435.1	Hood BAS GOT GD 24HM25 50 A1	Hood revos basic made of aluminum, with double locking lever and threaded hole M25 on the right side, low version, 24-poles
73.355.6435.3	Hood BAS GOT GD 24HM25 A3	Hood revos basic made of aluminum, with double locking lever and trumpet gland M25 on the right side (IP54), low version, 24-poles
73.357.6435.0	Hood BAS GOT GF 24HM25 50 A0	Hood revos basic made of aluminum, with double locking lever and cable gland M25 on the top (IP54), low version, 24-poles
73.357.6435.1	Hood BAS GOT GF 24HM25 50 A1	Hood revos basic made of aluminum, with double locking lever and threaded hole M25 on the top, low version, 24-poles
73.358.6435.0	Hood BAS GOT GD 24HM32 50 A0	Hood revos basic made of aluminum, with double locking lever and cable gland M32 on the right side (IP54), low version, 24-poles
73.358.6435.1	Hood BAS GOT GD 24HM32 50 A1	Hood revos basic made of aluminum, with double locking lever and threaded hole M32 on the right side, low version, 24-poles
73.358.6435.3	Hood BAS GOT GD 24HM32 A3	Hood revos basic made of aluminum, with double locking lever and trumpet gland M32 on the right side (IP54), low version, 24-poles
73.359.6435.0	Hood BAS GOT GF 24HM32 50 A0	Hood revos basic made of aluminum, with double locking lever and cable gland M32 on the top (IP54), low version, 24-poles
73.359.6435.1	Hood BAS GOT GF 24HM32 50 A1	Hood revos basic made of aluminum, with double locking lever and threaded hole M32 on the top, low version, 24-poles
73.360.6435.0	Hood BAS GOT GA 24HM40 A0	Hood revos basic made of aluminum, for double locking lever or. screw cap with cable gland M40 on the right side (IP54), low version, 24-poles
73.360.6435.1	Hood BAS GOT GA 24HM40 50 A1	Hood revos basic made of aluminum, for double locking lever or. screw cap with threaded hole M40 on the right side, low version, 24-poles
73.362.6435.0	Hood BAS GOT GC 24HM40 A0	Hood revos basic made of aluminum, for double locking lever or. screw cap with cable gland M40 on the top (IP54), low version, 24-poles
73.362.6435.1	Hood BAS GOT GC 24HM40 50 A1	Hood revos basic made of aluminum, for double locking lever or. screw cap with threaded hole M40 on the top, low version, 24-poles
73.365.6435.1	Hood BAS GOT GD 24HM40 A1	Hood revos basic made of aluminum, with double locking lever and threaded hole M40 on the right side, low version, 24-poles
73.367.6435.0	Hood BAS GOT GF 24HM40 A0	Hood revos basic made of aluminum, with double locking lever and cable gland M40 on the top (IP54), low version, 24-poles
70.320.2428.0	Bottom BAS GUT GA 24 A	Bottom-base revos basic made of aluminum, with double locking lever or. screw cap, low version, 24-poles

70.325.2428.0	Bottom BAS GUT GE 24 A	Bottom-base revos basic made of aluminum, for double locking lever and protective cover, open, low version, 24-poles
70.330.2435.0	Bottom BAS GUT GB 24 M25 A0	Bottom-base revos basic made of aluminum, with double locking lever or.screw cap with cable gland M25 on the right and left side (IP54), low version, 24-polig
70.330.2435.1	Bottom BAS GUT GB 24 M25 A1	Bottom-base revos basic made of aluminum, with double locking lever or.screw cap with threaded hole M25 on the right and left side, low version, 24-polig
70.331.2435.0	Bottom BAS GUT GC 24 M25 A0	Bottom-base revos basic made of aluminum, with double locking lever or.screw cap with cable gland M25 on the left side (IP54), low version, 24-polig
70.331.2435.1	Bottom BAS GUT GC 24 M25 A1	Bottom-base revos basic made of aluminum, with double locking lever or.screw cap with threaded hole M25 on the left side, low version, 24-polig
70.333.2435.0	Bottom BAS GUT GD 24 M25 A0	Bottom-base revos basic made of aluminum, with double locking lever or.screw cap with cable gland M25 on the right side (IP54), low version, 24-polig
70.333.2435.1	Bottom BAS GUT GD 24 M25 A1	Bottom-base revos basic made of aluminum, with double locking lever or.screw cap with threaded hole M25 on the right side, low version, 24-polig
70.340.2435.0	Bottom BAS GUT GF 24 M25 A0	Bottom-base revos basic made of aluminum, for double locking lever withcable gland M25 on the left and right side, with protective cover (IP54), low version, 24-polig
70.340.2435.1	Bottom BAS GUT GF 24 M25 A1	Bottom-base revos basic made of aluminum, for double locking lever withthreaded hole M25 on the left and right side, with protective cover, low version, 24-polig
70.341.2435.0	Bottom BAS GUT GG 24 M25 A0	Bottom-base revos basic made of aluminum, with double locking lever andcable gland M25 on the left side, with protective cover (IP54), low version, 24-polig
70.341.2435.1	Bottom BAS GUT GG 24 M25 A1	Bottom-base revos basic made of aluminum, with double locking lever andthreaded hole M25 on the left side, with protective cover, low version,24-polig
70.342.2435.0	Bottom BAS GUT GH 24 M25 A0	Bottom-base revos basic made of aluminum, with double locking lever andcable gland M25 on the right side, with protective cover (IP54), low version, 24-polig
70.342.2435.1	Bottom BAS GUT GH 24 M25 A1	Bottom-base revos basic made of aluminum, with double locking lever andthreaded hole M25 on the right side, with protective cover, low version, 24-polig
70.343.2435.0	Bottom BAS GUT GI 24 M25 A0	Bottom-base revos basic made of aluminum, with double locking lever andcable gland M25 on the bottom, with protective cover (IP54), low version, 24-polig
70.343.2435.1	Bottom BAS GUT GI 24 M25 A1	Bottom-base revos basic made of aluminum, with double locking lever andthreaded hole M25 on the bottom, with protective cover, low version, 24-polig
73.334.6435.0	Bottom BAS GUT GB 24HM32 50 A0	Bottom-base revos basic made of aluminum, with double locking lever or.screw cap with cable gland M32 on the right and left side (IP54), low version, 24-polig
73.334.6435.1	Bottom BAS GUT GB 24HM32 50 A1	Bottom-base revos basic made of aluminum, with double locking lever or.screw cap with threaded hole M32 on the right and left side, low version, 24-polig
73.335.6435.0	Bottom BAS GUT GC 24HM32 50 A0	Bottom-base revos basic made of aluminum, with double locking lever or.screw cap with cable gland M32 on the left side (IP54), low version, 24-polig
73.335.6435.1	Bottom BAS GUT GC 24HM32 50 A1	Bottom-base revos basic made of aluminum, with double locking lever or.screw cap with threaded hole M32 on the left side, low version, 24-polig

73.337.6435.0	Bottom BAS GUT GD 24HM32 50 A0	Bottom-base revos basic made of aluminum, with double locking lever or.screw cap with cable gland M32 on the right side (IP54), low version, 24-polig
73.337.6435.1	Bottom BAS GUT GD 24HM32 50 A1	Bottom-base revos basic made of aluminum, with double locking lever or.screw cap with threaded hole M32 on the right side, low version, 24-polig
73.338.6435.1	Bottom BAS GUT GB 24H M40 A1	Bottom-base revos basic made of aluminum, with double locking lever or.screw cap with threaded hole M40 on the right and left side, low version, 24-polig
73.339.6435.1	Bottom BAS GUT GC 24H M40 A1	Bottom-base revos basic made of aluminum, with double locking lever or.screw cap with threaded hole M40 on the left side, low version, 24-polig
73.344.6435.0	Bottom BAS GUT GF 24HM32 50 A0	Bottom-base revos basic made of aluminum, for double locking lever withcable gland M32 on the left and right side, with protective cover (IP54), low version, 24-polig
73.344.6435.1	Bottom BAS GUT GF 24HM32 50 A1	Bottom-base revos basic made of aluminum, for double locking lever withthreaded hole M32 on the left and right side, with protective cover, low version, 24-polig
73.345.6435.0	Bottom BAS GUT GG 24HM32 50 A0	Bottom-base revos basic made of aluminum, with double locking lever andcable gland M32 on the left side, with protective cover (IP54), low version, 24-polig
73.345.6435.1	Bottom BAS GUT GG 24HM32 50 A1	Bottom-base revos basic made of aluminum, with double locking lever andthreaded hole M32 on the left side, with protective cover, low version,24-polig
73.346.6435.1	Bottom BAS GUT GH 24HM32 50 A1	Bottom-base revos basic made of aluminum, with double locking lever andthreaded hole M32 on the right side, with protective cover, low version, 24-polig
73.347.6435.0	Bottom BAS GUT GI 24HM32 50 A0	Bottom-base revos basic made of aluminum, with double locking lever andcable gland M32 on the bottom, with protective cover (IP54), low version, 24-polig
70.101.2453.0	Multipole adapter BAS BAF KL 24 2,5 50	Multipole adapter revos BASIC 500V/16A spring clamp connection 24 pole + ground, short design, female insert, ground left
70.106.2453.0	Multipole adapter BAS BAF KR 24 2,5 50	Multipole adapter revos BASIC 500V/16A spring clamp connection 24 pole + ground, short design, female insert, ground right
70.300.2440.0	Female insert BAS BUS 24 2,5 50	Female insert revos basic, 24-poles, rated current: 16A, rated voltage:500V, with tin-plated contacts
70.301.2440.0	Female insert BAS BUS 24 2,5 50 AU	Female insert revos basic, 24-poles, rated current: 16A, rated voltage:500V, with gold-plated contacts
70.302.2440.0	Female insert BAS BUS OD 24 2,5 50	Female insert revos basic, 24-poles, rated current: 16A, rated voltage:500V, with tin-plated contacts
70.405.2453.0	Female insert BAS BUP 24 2,5 50 AG	Female insert revos basic, 24-poles, rated current: 16A, rated voltage:500V, with silver-plated contacts
70.357.2435.3	Hood BAS GOT GF 24 M25 A3	Hood revos basic made of aluminum, with double locking lever and trumpet gland M25 on the top (IP54), low version, 24-poles

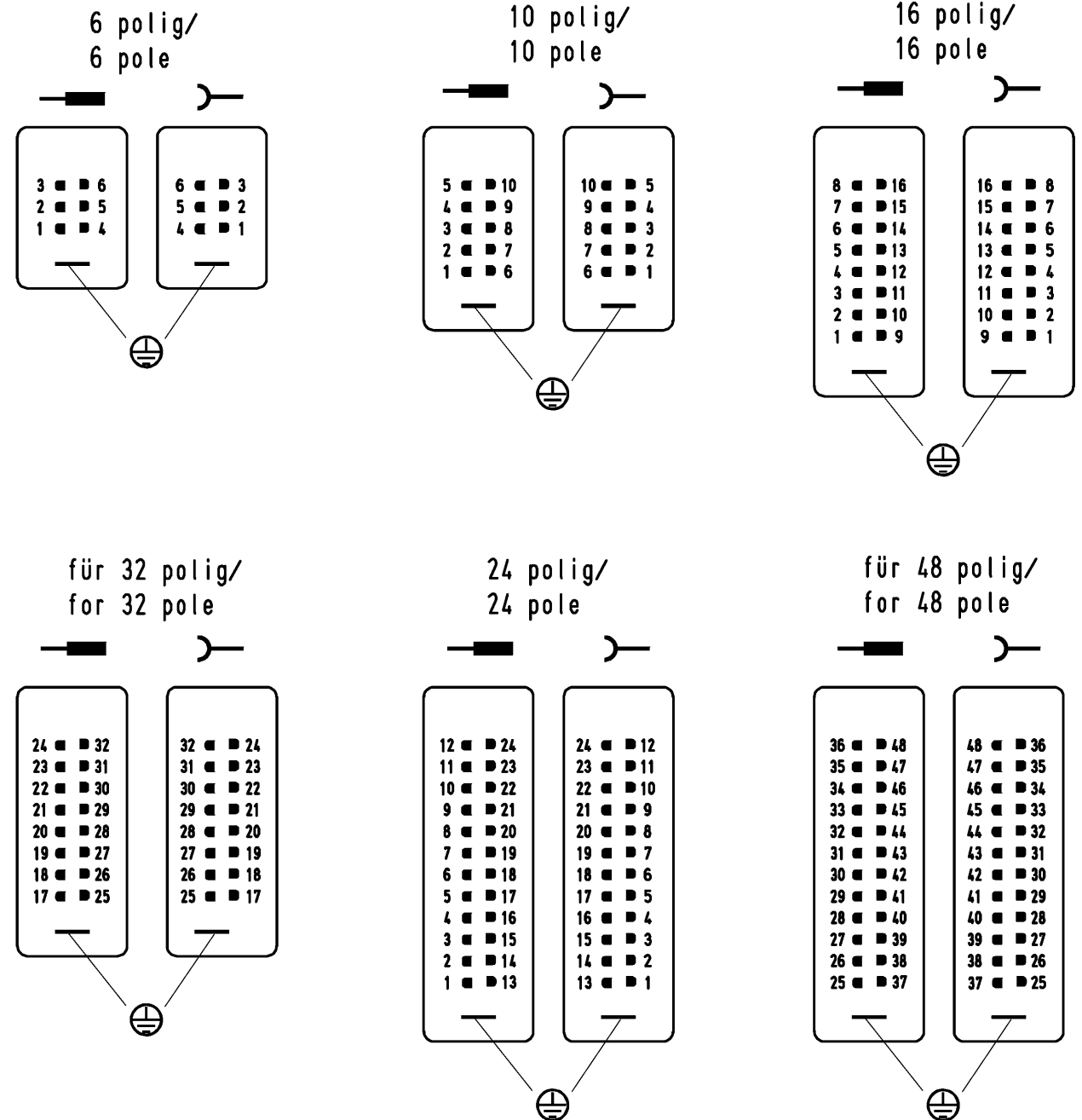
These dimensions will be especially checked at delivery
 Only inspection dimensions
 With /E gekennzeichnete Maße sind nur für interne Zwecke gültig

Diese Maße werden bei Abnahme besonders geprüft
 Ausschließlich Prüfmaße
 Mit /E gekennzeichnete Maße sind nur für interne Zwecke gültig



Polbild Anschlussseite/pole assignment

M 1:2



a		70.415.4853.0	BAS STP 48 50 AG	104	110,3	24	Steckereinsatz male insert		
		70.415.3253.0	BAS STP 32 50 AG	77,1	83,5	16			
		70.415.2453.0	BAS STP 24 50 AG	104	110,3	24			
		70.415.1653.0	BAS STP 16 50 AG	77,1	83,5	16			
	X	70.415.1053.0	BAS STP 10 50 AG	57	63,4	10			
		70.415.0653.0	BAS STP 06 50 AG	44	50	6			
	a		70.405.4853.0	BAS BUP 48 50 AG	104	110,3		24	Buchseinsatz socket insert
			70.405.3253.0	BAS BUP 32 50 AG	77,1	83,5		16	
			70.405.2453.0	BAS BUP 24 50 AG	104	110,3		24	
			70.405.1653.0	BAS BUP 16 50 AG	77,1	83,5		16	
X		70.405.1053.0	BAS BUP 10 50 AG	57	63,4	10			
		70.405.0653.0	BAS BUP 06 50 AG	44	50	6			
	dar- gestellt /drawn	Bestellnummer /Order number	Typ /Type	L1	L2	Polzahl number of poles			

Weitere Daten siehe KATALOG oder eKatalog.
 Additional data see CATALOG or eCatalog.

www.wieland-electric.com
 eshop.wieland-electric.com

Tolerierung Size ISO 14405/Tolerance system Size ISO 14405.
 (This ISO-standard describes the envelope principle. According to the envelope principle the deviations of form and parallelism are limited by the size tolerances).

ja/yes Stoffverbots- und Deklarationsliste nach WN 5020.010 ist einzuhalten.
 Conformity with Wieland document WN 5020.010 e (list of prohibited / declarable hazardous substances) to be declared!

Freitoleranz nach General tolerance CAD - Zeichnung, keine manuellen Änderungen CAD - drawing, no manual modifications allowed 1.Verwendung: First Use: Blatt: 1 von 1 Sheet: of 1

Werkstoff/Material	2014	Tag/Date	Name	Zeichnung Nr./Drawing No.	Index		
gezeichnet drawn	03.03.	Quetsch T.	T			70.405.0653.0 13K	a
geprüft checked	-	-					
Normgepr. Stand. check	-	-					
Vol. mm ³ Ofl./Surf. mm ²	Ersatz für/Replacement for: -						
a	10.03.2015/	Type					
Index	Datum / Blatt Date / Sheet	Benennung/Title					
Änderung/Revision	www.wieland-electric.com						
KONTAKTE INSATZ							
Buchseinsatz/Steckereinsatz Push-in Anschluss socket insert / male insert push-in connection							

Weitergabe sowie Vervielfältigung dieses Dokuments, Verwertung und Mitteilung seines Inhalts sind verboten, soweit nicht ausdrücklich gestattet. Die Reproduktion, Distribution und Nutzung dieses Dokuments sowie die Kommunikation seiner Inhalte ist ohne schriftliche Genehmigung von Wieland-Electric GmbH ist untersagt.