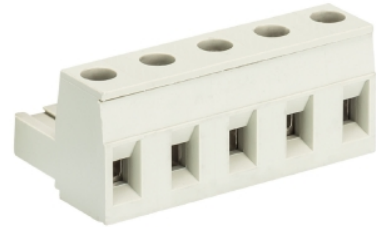


Data sheet

Commercial Art.No.: 25.360.3853.0

PCB connector 8313 B / 8 OB

PCB female connector with screw connection with rising cage clamp system, 8 poles, max. cross section: 2.5 mm², pitch: 7.5 mm, type of packing: carton, color: grey



| | |
|--------------------|---------------|
| Commercial Art.No. | 25.360.3853.0 |
| EAN | 4015573195837 |
| Order Unit | 50 |

Certificates / Approvals



Technical data

General

| | |
|------------------------------------|------------------|
| Modular spacing | 7.5 mm |
| Connection type | screw connection |
| Soldering process | None |
| Packaging | Carton |
| Number of poles | 8 |
| Marking | No |
| Fastening | None |
| Mating direction towards connector | 180° |

Technical data

| | |
|--------------------------|---------------------|
| Nominal cross section | 2.5 mm ² |
| Rated current | 12 A |
| Overvoltage Category I | 1000 V |
| Overvoltage Category II | 690 V |
| Overvoltage Category III | 400 V |
| Rated impulse voltage | 4 kV |
| Wire strip length | 6 mm |

Connection Data

| | |
|-------------------------------------|----------------------|
| Minimum cross section solid | 0.14 mm ² |
| Maximum cross section solid | 2.5 mm ² |
| Minimum cross section fine stranded | 0.14 mm ² |
| Maximum cross section fine stranded | 2.5 mm ² |
| Wire strip length | 6 mm |

Technical Data UL/CSA

| | |
|------------------|-----------|
| Cross section UL | 22-12 AWG |
|------------------|-----------|

| | |
|------------------------|-----------|
| Voltage UL | 300 V |
| Current field wiring | 15 A |
| Current factory wiring | 15 A |
| Cross section CSA | 22-12 AWG |
| Voltage CSA | 300 V |
| Current CSA | 15 A |

Other

| | |
|-----------------------------|---------------|
| Type of insulation material | Thermoplastic |
| Color | Grey |
| Height | 15 mm |
| Length | 58 mm |
| Depth | 18.2 mm |
| Material attachment screw | CuSn/Steel |
| Material contact base | CuSn |
| Material contact surface | Sn |

Classification

| | |
|------------|----------|
| ECLASS 11 | |
| ECLASS 8.1 | 27440402 |
| ETIM 7.0 | EC002637 |
| ETIM 6.0 | EC002637 |
| ETIM 5.0 | EC002637 |
| ETIM 4.0 | EC002637 |

Product compliance

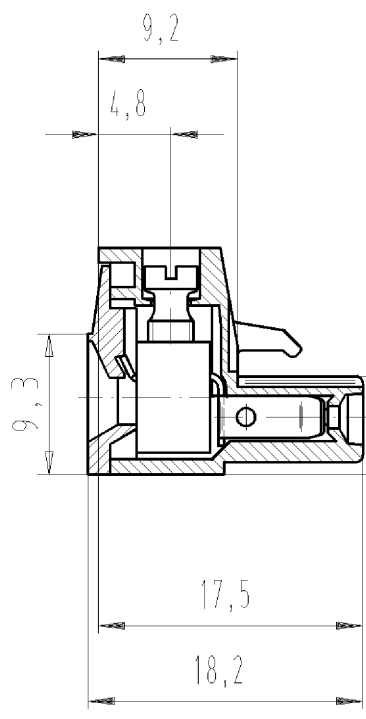
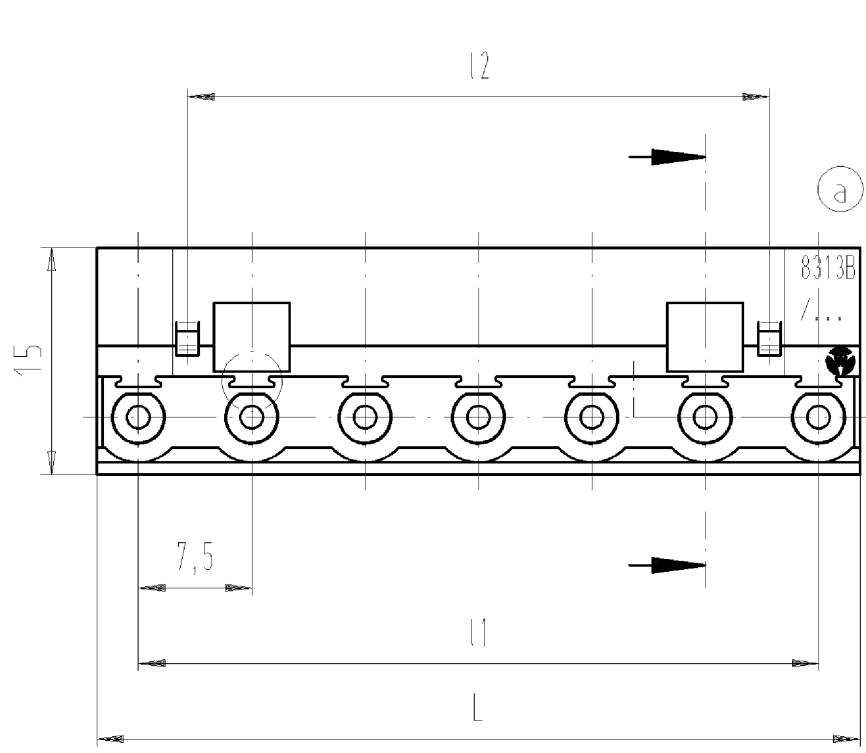
| | |
|------------------------------|--------------------|
| ROHS conformity status | Compliant/Exempted |
| ROHS exceptions | III-6(c) |
| REACH-SVHC conformity status | Duty-To-Declare |
| REACH-SVHC substances | Lead |
| REACH-SVHC CAS numbers | 7439-92-1 |

Fits with

| Commercial Art.No.: | Article-type description: | Description: |
|---------------------|--------------------------------|----------------------------------------------------------------------------------------------------------------------------------------------|
| 25.372.3853.0 | PCB pin header 8313 S / 8 W OB | PCB pin header with pin header, connection method depends on used socket part , 8 poles, pitch: 7.5 mm, type of packing: carton, color: grey |
| 25.370.3853.0 | PCB pin header 8313 S / 8 G OB | PCB pin header with pin header, connection method depends on used socket part , 8 poles, pitch: 7.5 mm, type of packing: carton, color: grey |

These dimensions will be especially checked at delivery
 Only inspection dimensions
 With /E marked dimensions are only valid for internal use

Diese Maße werden bei Abnahme besonders geprüft
 Ausschließlich Prüfmaße
 Mit /E gekennzeichnete Maße sind nur für interne Zwecke gültig



gezeichnete Ausführung: 7-polig
drawn execution: 7-poles

Weitere Daten siehe Katalog
 further data see catalog

| | |
|---------------|----|
| Farbe/colour | .F |
| grau/grey | .0 |
| schwarz/black | .1 |
| grün/green | .7 |

| Artikel-Nr. part number | Po1 pole | L | l ₁ | l ₂ | Typ type |
|----------------------------|-------------|------|----------------|----------------|--------------|
| 25.360.3253 | 2 | 13,0 | 7,5 | | 8313 B/ 20B |
| 3353 | 3 | 20,5 | 15,0 | 8,5 | 8313 B/ 30B |
| 3453 | 4 | 28,0 | 22,5 | 16,0 | 8313 B/ 40B |
| 3553 | 5 | 35,5 | 30,0 | 23,5 | 8313 B/ 50B |
| 3653 | 6 | 43,0 | 37,5 | 31,0 | 8313 B/ 60B |
| 3753 | 7 | 50,5 | 45,0 | 38,5 | 8313 B/ 70B |
| 3853 | 8 | 58,0 | 52,5 | 46,0 | 8313 B/ 80B |
| 3953 | 9 | 65,5 | 60,0 | 53,5 | 8313 B/ 90B |
| 4053 | 10 | 73,0 | 67,5 | 61,0 | 8313 B/ 100B |
| 4153 | 11 | 80,5 | 75,0 | 68,5 | 8313 B/ 110B |
| 4253 | 12 | 88,0 | 82,5 | 76,0 | 8313 B/ 120B |

Tolerierung nach DIN 7167/Tolerance system acc. to DIN 7167. (This DIN-standard describes the envelope principle. According to the envelope principle the deviations of form and parallelism are limited by the size tolerances). ja/yes Stoffverbots- und Deklarationsliste nach UU-TQM-05/03 ist einzuhalten. Conformity with Wieland document UU-TQM-05/03 (list of prohibited / declarable hazardous substances) to be declared!

Freitoleranz nach General tolerance CAD - Zeichnung, keine manuellen Änderungen CAD - drawing, no manual modifications allowed 1.Verwendung: First Use: Blatt: 1 von 1 Sheet: 1 of 1

| | | | | |
|-------------------------------------------------|-------------------------------|---------------------------------------------------------------------------------------------|---------------------------|-------|
| Werkstoff/Material | 2007 Tag/Date | Name | Zeichnung Nr./Drawing No. | Index |
| | gezeichnet drawn 27.06. | Schmitt J. | 25.360.3253.0 01K a | a |
| Maßstab/Scale | geprüft checked | - | | |
| 1:1 | Normgepr. Stand, check | - | | |
| Vol. mm ³ Of1./Surf. mm ² | Ersatz für/Replacement for: - | | | |
| | | Type | Benennung/Title | |
| | | 8313 B/ | Pluggable PCB terminal | |
| | | ..0B | LP_KLEMME | |
| Elektrische Verbindungen | | indirekt steckbar; Schraubausführung; Rastermaß 7,5 rising cage clamp system; Pitch 7.50 | | |

Weitergabe sowie Vervielfältigung dieses Dokuments, Verwertung und Mitteilung seines Inhalts sind verboten, soweit nicht ausdrücklich gestattet. Die Reproduktion, Distribution und Utilization of this document as well as the communication of its contents to others, without express authorization is prohibited.

253603253001K_4 CADW1042 Schmitt 2007-07-04T12:05:38 1.000