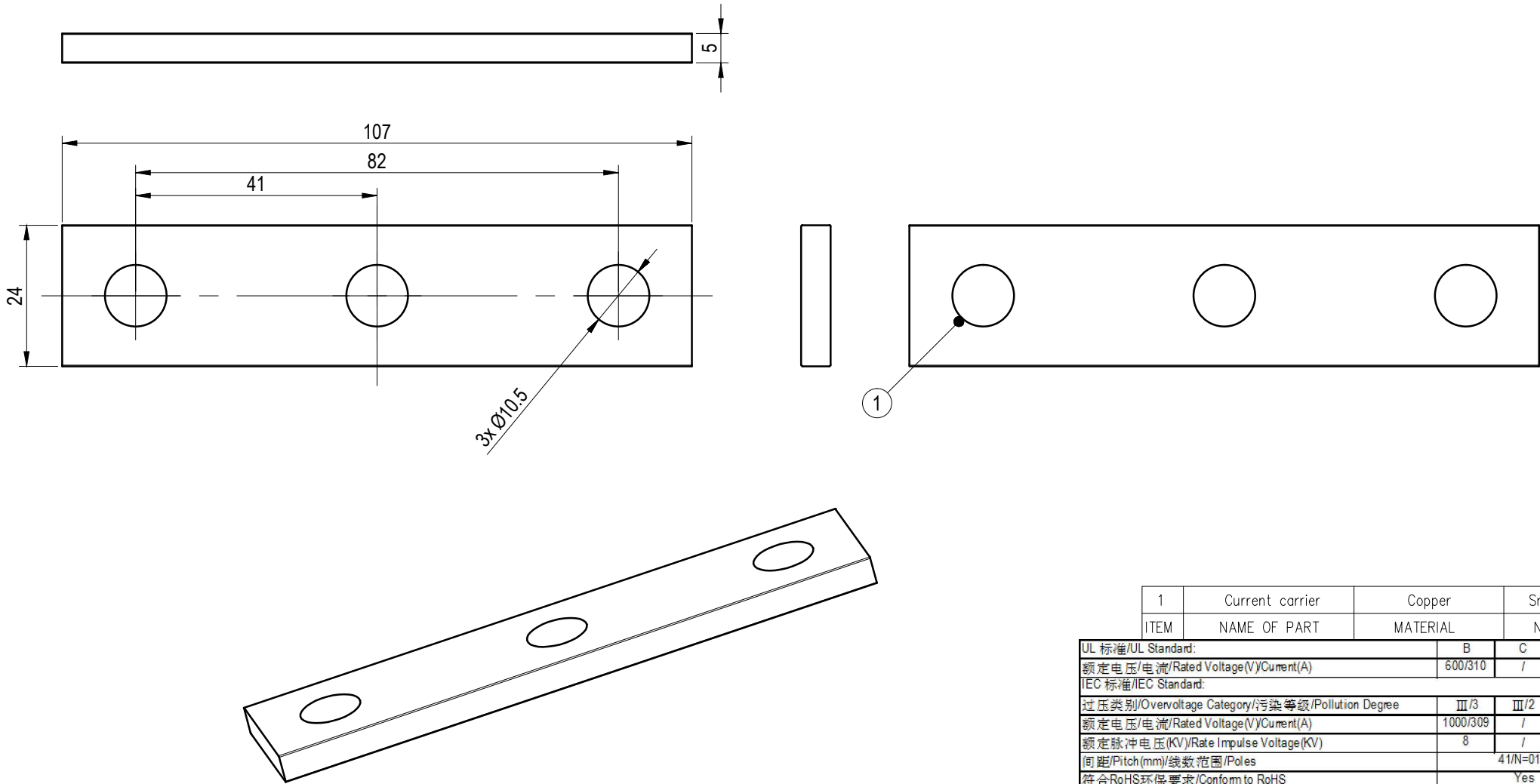


未注公差/General tolerances(mm)

0	>3	>6	>10	>18	>30	>50	>80	>120	>180	>250	>315	>400	>500	0.1/10 ±2'
~3	~6	~10	~18	~30	~50	~80	~120	~180	~250	~315	~400	~500		
±0.12	±0.18	±0.22	±0.26	±0.31	±0.37	±0.57	±0.80	±0.93	±1.05	±1.15	±1.60	±2.20	±2.50	

Transfer or duplication of this document as well as the utilization or communication of its contents are prohibited unless explicit authorization is granted. Violations will be liable for compensation. All rights reserved for patent, utility model or designs registrations. 未经授权，复制或传播本文件内容，或在本文件内容基础上进行发明、实用新型、外观设计、专利申请等行为，均属于侵权行为，公司将依法追究。本公司保留所有权利。



1	Current carrier	Copper	Sn Plated
ITEM	NAME OF PART	MATERIAL	NOTES

UL 标准/UL Standard:	B	C	D
额定电压/电流/Rated Voltage(V)/Current(A)	600/310	/	/
IEC 标准/IEC Standard:			
过压类别/Overvoltage Category/污染等级/Pollution Degree	III/3	III/2	II/2
额定电压/电流/Rated Voltage(V)/Current(A)	1000/309	/	/
额定脉冲电压(KV)/Rate Impulse Voltage(KV)	8	/	/
间距/Pitch(mm)/线数范围/Poles	41/N=01P		
符合RoHS环保要求/Conform to RoHS	Yes		

		MATERIAL:	SURFACE/COLOR:		
APPD: LGL 2022.08.17		MAT NO./REV: /	MAT STATUS:		
CHKD: MEK 2022.08.15		NAME BS10-VB3			
DRFT: YANH 2022.08.15		DRAWING NO.	TYPE	DRAWING STATUS	SCALE
④ A4					1:1
					SHEET 1/1

00	/			
REV	ECN	DESCRIPTION	DRFT	DATE