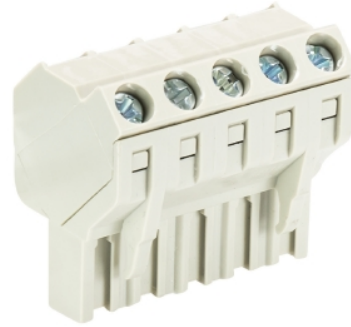


Data sheet

Commercial Art.No.: 27.341.3353.0

PCB connector 8213 B / 3 S OB

PCB female connector, 3 poles, pitch: 5.08 mm, type of packing: carton,color: grey



| | |
|--------------------|---------------|
| Commercial Art.No. | 27.341.3353.0 |
| EAN | 4015573687424 |
| Order Unit | 100 |

Certificates / Approvals



Technical data

General

| | |
|------------------------------------|------------------|
| Modular spacing | 5.08 mm |
| Connection type | screw connection |
| Soldering process | None |
| Packaging | Carton |
| Number of poles | 3 |
| Marking | No |
| Fastening | None |
| Mating direction towards connector | 45° |

Technical data

| | |
|--------------------------|---------------------|
| Nominal cross section | 2.5 mm ² |
| Rated current | 12 A |
| Overvoltage Category I | 400 V |
| Overvoltage Category II | 400 V |
| Overvoltage Category III | 250 V |
| Rated impulse voltage | 4 kV |
| Wire strip length | 8 mm |

Connection Data

| | |
|-------------------------------------|---------------------|
| Minimum cross section solid | 0.5 mm ² |
| Maximum cross section solid | 2.5 mm ² |
| Minimum cross section fine stranded | 0.5 mm ² |
| Maximum cross section fine stranded | 2.5 mm ² |
| Wire strip length | 8 mm |

Technical Data UL/CSA

| | |
|------------------------|-----------|
| Cross section UL | 28-12 AWG |
| Voltage UL | 300 V |
| Current field wiring | 10 A |
| Current factory wiring | 10 A |
| Cross section CSA | 28-12 AWG |
| Voltage CSA | 300 V |
| Current CSA | 10 A |

Other

| | |
|-----------------------------|---------------|
| Type of insulation material | Thermoplastic |
| Color | Grey |
| Height | 23.3 mm |
| Length | 15.24 mm |
| Depth | 15.4 mm |
| Material attachment screw | Steel |
| Material contact base | CuSn |
| Material contact surface | Sn |

Classification

| | |
|------------|----------|
| ECLASS 11 | |
| ECLASS 8.1 | 27440402 |
| ETIM 7.0 | EC002637 |
| ETIM 6.0 | EC002637 |
| ETIM 5.0 | EC002637 |
| ETIM 4.0 | EC002637 |

Product compliance

| | |
|------------------------------|-----------|
| ROHS conformity status | Compliant |
| REACH-SVHC conformity status | Compliant |

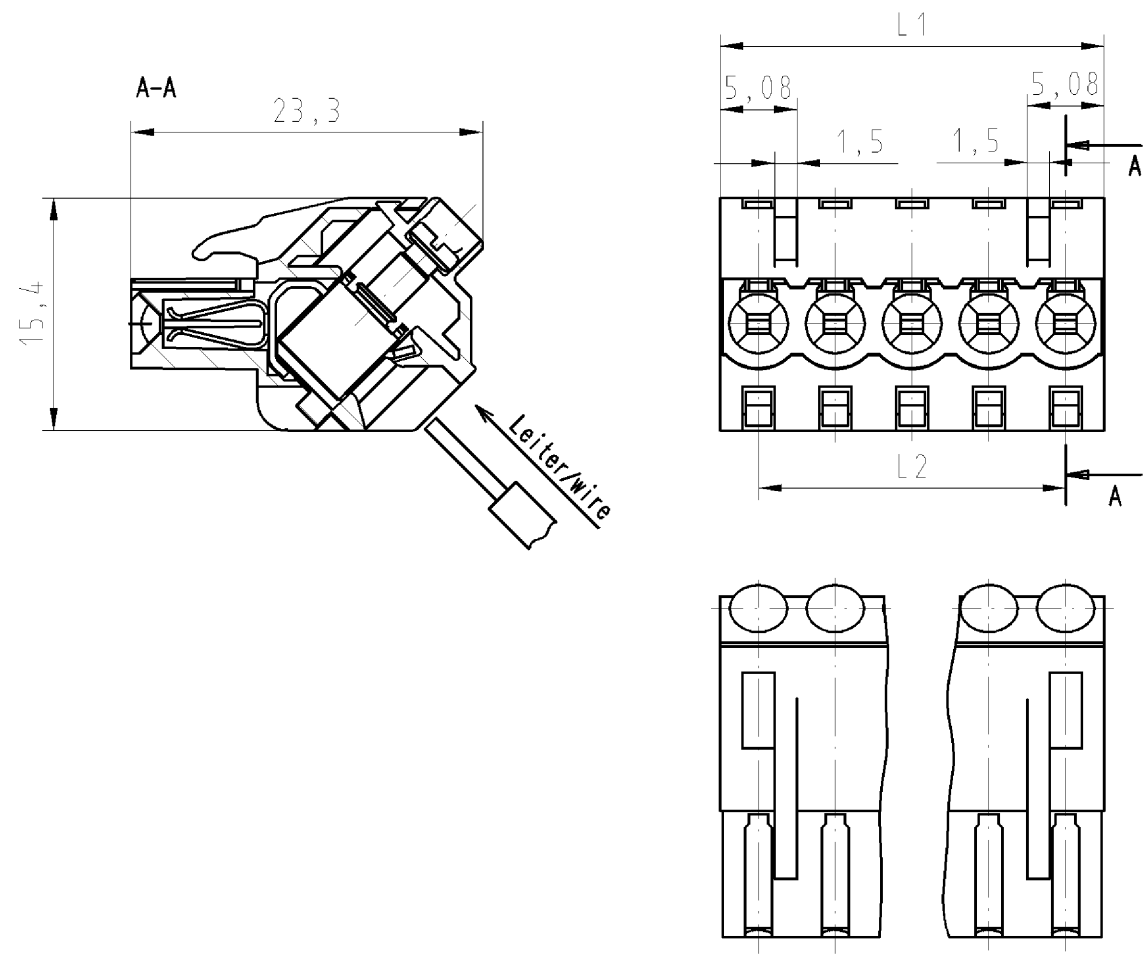
Fits with

| Commercial Art.No.: | Article-type description: | Description: |
|---------------------|------------------------------------|--|
| 25.352.3353.0 | PCB pin header 8213 S / 3 W OB | PCB pin header, connection method depends on used socket part , 3 poles, pitch: 5.08 mm, type of packing: carton, color: grey |
| 25.350.3353.0 | PCB pin header 8213 S / 3 G OB | PCB pin header, connection method depends on used socket part , 3 poles, pitch: 5.08 mm, type of packing: carton, color: grey |
| 99.203.9996.2 | PCB pin header 8213 S / 3 W OB OF | PCB pin header, connection method depends on used socket part , 3 poles, pitch: 5.08 mm, type of packing: carton, color: white |
| 99.233.9996.1 | PCB pin header 8213 S / 3 G OB OF | PCB pin header, connection method depends on used socket part , 3 poles, pitch: 5.08 mm, type of packing: carton, color: black |
| 25.396.3353.0 | PCB pin header 8213 S / 3 S OB | PCB pin header, connection method depends on used socket part , 3 poles, pitch: 5.08 mm, type of packing: carton, color: grey |
| 27.356.0353.0 | PCB pin header 8213 SEG/ 3/ 6 W OB | PCB pin header, 3 poles, pitch: 5.08 mm, type of packing: carton, color: grey |
| 25.356.3353.0 | PCB pin header 8213 SE / 3 W OB | PCB pin header, connection method depends on used socket part , 3 poles, pitch: 5.08 mm, type of packing: carton, color: grey |
| 25.354.3353.0 | PCB pin header 8213 S E / 3 G OB | PCB pin header, connection method depends on used socket part , 3 poles, pitch: 5.08 mm, type of packing: carton, color: grey |

| | | |
|---------------|---------------------------------------|---|
| 26.350.3306.0 | PCB pin header 8213 S / 3 G OF OB THR | PCB pin header, connection method depends on used socket part , 3 poles, with solder pin (2.6mm, tin plated), pitch: 5.08 mm, type of packing: carton, color: black, This product can be soldered by reflow and wave soldering, |
| 25.350.3306.0 | PCB pin header 8213 S / 3 G OB THR | PCB pin header, connection method depends on used socket part , 3 poles, with solder pin (2.6mm, tin plated), pitch: 5.08 mm, type of packing: carton, color: black, This product can be soldered by reflow and wave soldering, |
| 25.352.3306.0 | PCB pin header 8213 S / 3 W OB THR | PCB pin header, connection method depends on used socket part , 3 poles, with solder pin (2.6mm, tin plated), pitch: 5.08 mm, type of packing: carton, color: black, This product can be soldered by reflow and wave soldering, |

These dimensions will be especially checked at delivery
Only inspection dimensions
Mit / ZE marked dimensions are only valid for internal use

Diese Maße werden bei Abnahme besonders geprüft
Ausschließlich Prüfmaße
Mit / ZE gekennzeichnete Maße sind nur für interne Zwecke gültig



gezeichnet/drawn:
27.341.3553.0

Technische Daten
Technical Data

| | VDE | UL | CSA |
|--|-----|-----|-----|
| Bemessungsspannung V rated voltage | 250 | 300 | 300 |
| Bemessungsstrom A rated current | 12 | 10 | 10 |
| Anschlußbereich max.mm ² /AWG connection range | 2,5 | 12 | 12 |
| Brennbarkeitsklasse UL 94 V-0 flamability rating UL 94 V-0 | | | |
| Klemmschraube M2,5 clamping screw | | | |
| Verschmutzungsgrad 3/Überspannungskategorie III pollution degree 3/overvoltage category III | | | |

(b)
(a)
(b)

| | |
|--|--------------------|
| Kontaktbasismaterial contact basis material | CuSn6 Kontakt K 62 |
| Diffusionssperre diffusion barrier | Cu 2-3µm |
| Kontaktoberfläche contact surface | Sn 4-6µm |
| Isoliermaterial insulating material | PBT |

| Teile-Nr. part no. | Typ type | Polzahl pole | L1 | L2 |
|-----------------------|------------------|-----------------|--------|--------|
| 27.341.3253.0 | 8213 B / 2 S OB | 2 | 10,16 | 5,08 |
| 27.341.3353.0 | 8213 B / 3 S OB | 3 | 15,24 | 10,16 |
| 27.341.3453.0 | 8213 B / 4 S OB | 4 | 20,32 | 15,24 |
| 27.341.3553.0 | 8213 B / 5 S OB | 5 | 25,40 | 20,32 |
| 27.341.3653.0 | 8213 B / 6 S OB | 6 | 30,48 | 25,40 |
| 27.341.3753.0 | 8213 B / 7 S OB | 7 | 35,56 | 30,48 |
| 27.341.3853.0 | 8213 B / 8 S OB | 8 | 40,64 | 35,56 |
| 27.341.3953.0 | 8213 B / 9 S OB | 9 | 45,72 | 40,64 |
| 27.341.4053.0 | 8213 B / 10 S OB | 10 | 50,80 | 45,72 |
| 27.341.4153.0 | 8213 B / 11 S OB | 11 | 55,88 | 50,80 |
| 27.341.4253.0 | 8213 B / 12 S OB | 12 | 60,96 | 55,88 |
| 27.341.4353.0 | 8213 B / 13 S OB | 13 | 66,04 | 60,96 |
| 27.341.4453.0 | 8213 B / 14 S OB | 14 | 71,12 | 66,04 |
| 27.341.4553.0 | 8213 B / 15 S OB | 15 | 76,20 | 71,12 |
| 27.341.4653.0 | 8213 B / 16 S OB | 16 | 81,28 | 76,20 |
| 27.341.4753.0 | 8213 B / 17 S OB | 17 | 86,36 | 81,28 |
| 27.341.4853.0 | 8213 B / 18 S OB | 18 | 91,44 | 86,36 |
| 27.341.4953.0 | 8213 B / 19 S OB | 19 | 96,52 | 91,44 |
| 27.341.5053.0 | 8213 B / 20 S OB | 20 | 101,60 | 96,52 |
| 27.341.5153.0 | 8213 B / 21 S OB | 21 | 106,68 | 101,60 |
| 27.341.5253.0 | 8213 B / 22 S OB | 22 | 111,76 | 106,68 |
| 27.341.5353.0 | 8213 B / 23 S OB | 23 | 116,84 | 111,76 |
| 27.341.5453.0 | 8213 B / 24 S OB | 24 | 121,92 | 116,84 |

Weitere Daten siehe Katalog
further data see catalog

Tolerierung nach DIN 7167/Tolerance system acc. to DIN 7167.
[This DIN-standard describes the envelope principle. According to the envelope principle the deviations of form and parallelism are limited by the size tolerances].

ja/yes Stoffverbots- und Deklarationsliste nach UU-TQM-05/03 ist einzuhalten.
Conformity with Wieland document UU-TQM-05/03 (list of prohibited / declarable hazardous substances) to be declared!

Freitoleranz nach General tolerance CAD - Zeichnung, keine manuellen Änderungen CAD - drawing, no manual modifications allowed 1. Verwendung: First Use: Blatt: 1 von 1 Sheet: of 1

| | | | | | |
|--------------------|-------------------------------|--|---------------------------------|--|-------|
| Werkstoff/Material | 2001 Tag/Date | Name | T | Zeichnung Nr./Drawing No. | Index |
| gezeichnet/drawn | 02.07. | Bauer F. | | | |
| geprüft/checked | - | - | | | |
| Maßstab/Scale | 2:1 | Farbe: grau, ähnl. RAL 7032 colour: grey, sim. RAL 7032 | Maße in mm/Dimensions are in mm | | |
| Vol. | mm ³ | Öff./Surf. | mm ² | Ersatz für/Replacement for: - | |
| b | 18.05.2006/ | | | LP_STECKKLEMME Rastermaß 5,08 PCB-Terminal pitch 5,08 | |
| a | 26.04.2002/ | | | | |
| Index | Datum / Blatt Date / Sheet | Elektrische Verbindungen Type 8273 B / .. S OB | | | |
| Änderung/Revision | | | | | |

Weitergabe sowie Vervielfältigung dieses Dokuments, Verwertung und Mitteilung seines Inhalts sind verboten, soweit nicht ausdrücklich gestattet.
 The reproduction, distribution and utilization of this document as well as the communication of its contents to others without express authorization is prohibited.

273413253001K_4_CADW1044_Schnitt: 2006-05-18T08:26:58 1.000