

Data sheet

Commercial Art.No.: 92.238.5060.1

Cable assembly GST18i3K1BS 25H 50SW

GST18i3 connection cable female - male, length 5.0 m, 3 pole, coding mains 250 V, 20 A, coding color black, strain relief color black, cable color black, cross section 2.5 mm², cable type H05Z1Z1-F, fire class: Eca



| | |
|--------------------|---------------|
| Commercial Art.No. | 92.238.5060.1 |
| EAN | 4015573707986 |
| Order Unit | 1 |

Certificates / Approvals



Technical data

General

| | |
|--|----------------------------------|
| Rated current | 20 A |
| Rated voltage | 250 V |
| Rated impulse voltage | 4 kV |
| Pollution degree | 2 |
| Mechanical coding | Code 1 |
| Lockable | self-locking (unlocking by tool) |
| Color of coding/ contact carrier | black |
| Marking of poles | L, N, PE |
| Color of housing inclusive strain relief | black |

Model

| | |
|---------------------------------|---------------------|
| Nominal cross section conductor | 2.5 mm ² |
| Degree of protection (IP) | IP20 |
| Cable type | H05Z1Z1-F |
| Cable color | black |
| Cable diameter max. | 10.2 mm |
| Version of cable | female - male |
| Type of cord set | connecting cable |
| Version cable end 1 | GST18i3 female |
| Version cable end 2 | GST18i3 plug |

Material

| | |
|----------------|------------|
| Surface finish | Tin-plated |
|----------------|------------|

| | |
|--|-----------|
| halogen free | yes |
| Continuous temperature of cable | 70 °C |
| Insulation components continuous temperature | 100 °C |
| Fire load | 3.002 kWh |
| Fire class | Eca |

Dimensions

| | |
|--------------|-----|
| Total length | 5 m |
|--------------|-----|

Classification

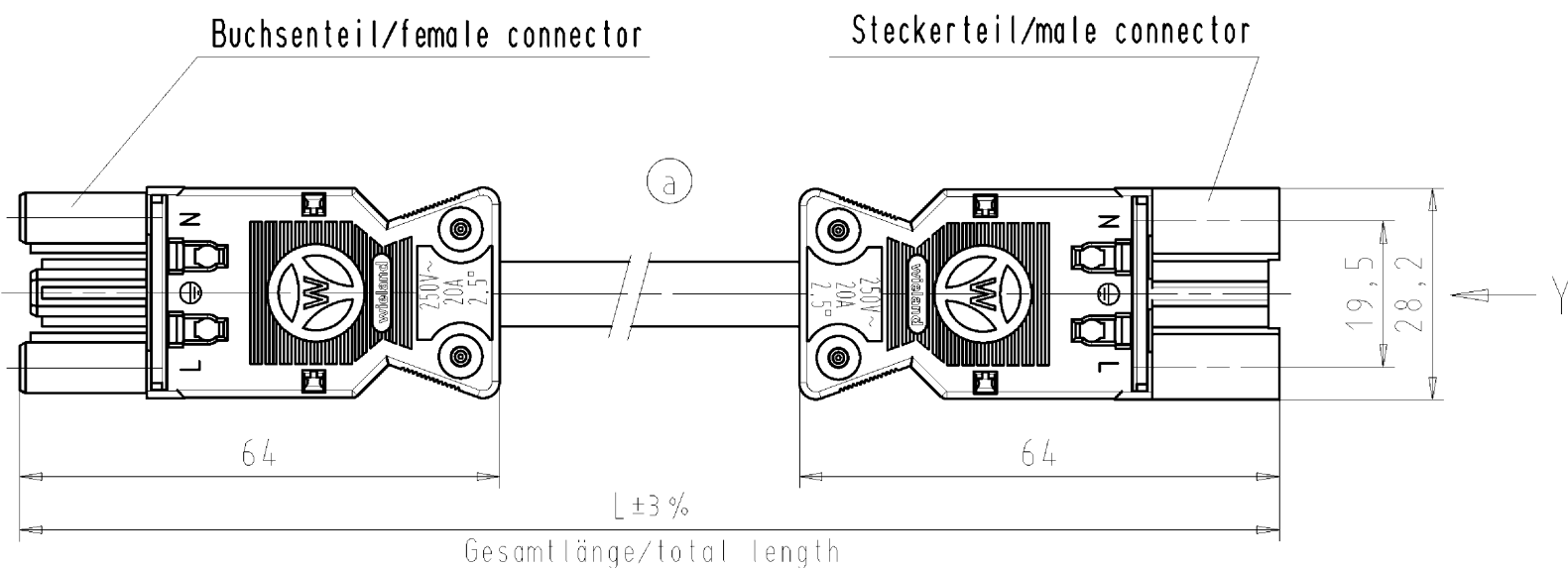
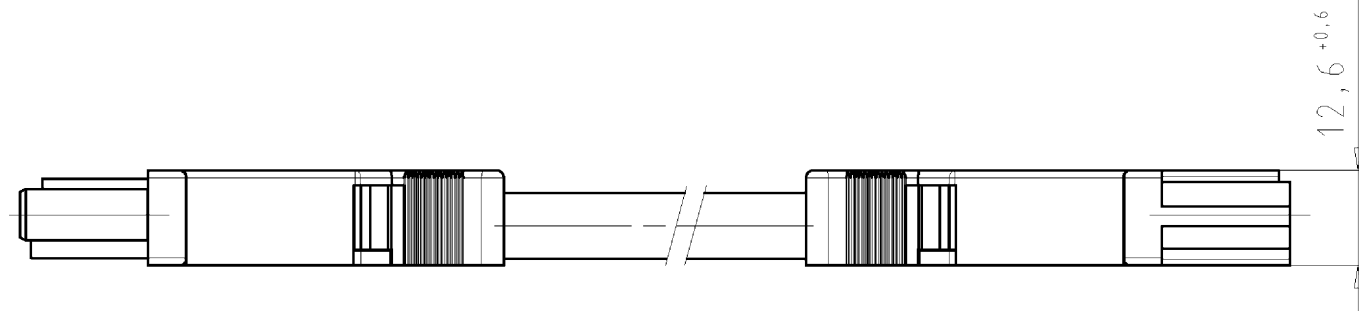
| | |
|------------|----------|
| ECLASS 11 | |
| ECLASS 8.1 | 27440604 |
| ETIM 7.0 | EC002587 |
| ETIM 6.0 | EC002587 |
| ETIM 5.0 | EC002587 |
| ETIM 4.0 | EC002587 |

Product compliance

| | |
|------------------------------|--------------------|
| ROHS conformity status | Compliant/Exempted |
| ROHS exceptions | III-6(c) |
| REACH-SVHC conformity status | Duty-To-Declare |
| REACH-SVHC substances | Lead |
| REACH-SVHC CAS numbers | 7439-92-1 |

Accessories

| Commercial Art.No.: | Article-type description: | Description: |
|---------------------|-----------------------------------|--|
| 05.587.3156.0 | Lock (G)ST18 WS | Locking device for cable to cable connection GST18i3-5, white |
| 06.561.7853.0 | mounting frame GST18i3 SW | Mounting frame to snap in GST18i3 connectors into a housing or furniture. Wall thickness: 1,5-2,5 mm. Holds GST18i3 connectors with screw or spring connection and pre- assembled cables. |
| 05.561.3653.0 | cover cap GST18i3VS B WS | Cover piece for female GST18i3, white |
| 05.561.3653.1 | cover cap GST18i3VS B SW | Cover piece for female GST18i3, black |
| 05.564.5353.0 | cover cap GST18i3/4/5 SW | Cover piece 12 pole black for female parts GST18i3-6 |
| 05.564.5353.2 | cover cap GST18i3/4/5 WS | Cover piece 12 pole white for female parts GST18i3-6 |
| 05.594.4250.0 | cover cap ST18/3B + GST18i3 ST WS | |
| 05.594.4253.0 | cover cap ST18/3B + GST18i3 ST WS | |
| 05.587.3156.1 | Lock (G)ST18 SW | Locking device for cable to cable connection GST18i3-5, black |
| 06.560.0300.0 | mounting part GST18i3 SW | Lock system to provide accidental disconnection of "flying donnections" and to fix these connections to cable ladders or cable trays. Reduction of shearing forces on the strain reliefs Colour: black |



Kabeltype/cable-type H05Z1Z1-F3G2,5 halogenfrei/halogen-free
 Farbe/colour: siehe Tabelle/see table

| .F | Farbe colour | Codierung "X" Buchse female | Codierung "Y" Stecker male | Kabelfarbe cable colour |
|----|------------------|-----------------------------------|----------------------------------|----------------------------|
| .1 | schwarz black | N ⊕ L | L ⊕ N | schwarz black |
| .2 | weiß white | N ⊕ L | L ⊕ N | weiß white |
| .3 | grau grey | N ⊕ L | L ⊕ N | schwarz black |
| .5 | rot red | N ⊕ L | L ⊕ N | schwarz black |

Typ/type: GST1813K1BS 25H..

SW = schwarz/black
 WS = weiß/white
 GR01 = grau/grey
 RT03 = rot/red

| | | | |
|---|--------------------|---|---------------------------------|
| Teile-Nr. part-no. | L | Beispiel (Farbe: schwarz) example (colour: black) | Typ type |
| 92.238.XX60.F | XX in dm-Schritten | 92.238.1060.1 = 10dm/L= 1000mm | GST1813K1BS 25H 10SW |
| U2.238.XX60.F | XX in m-Schritten | U2.238.1260.1 = 12 m/L=12000mm | GST1813K1BS 25H X12SW |
| 92.238.XX80.F | XX in dm-Schritten | 92.238.1080.1 = 10dm/L= 1000mm | |
| 80.F = spezielle Verpackung und Etikettierung nach A 1960.000 special packaging and label according to A 1960.000 | | | |
| Tolerierung Size ISO 14405 (T)/Tolerance system Size ISO 14405 (T). (This ISO-standard describes the envelope principle. According to the envelope principle the deviations of form and parallelism are limited by the size tolerances). | | ja/yes <input checked="" type="checkbox"/> Stoffverbots- und Deklarationsliste nach UU-TOM-05/03 ist einzuhalten. Conformity with Wieland document UU-TOM-05/03 (list of prohibited / declarable hazardous substances) to be declared! | |
| Freitoleranz nach General tolerance | | CAD - Zeichnung, keine manuellen Änderungen CAD - drawing, no manual modifications allowed | 1. Verwendung: First Use: |
| / | | Werkstoff/Material | Blatt: 1 von 1 Sheet: of 1 |
| / | | 2006 Tag/Date Name | Zeichnung Nr./Drawing No. Index |
| / Maßstab/Scale | | gezeichnet/drawn 01.02. DUETSCH T. | |
| / | | geprüft/checked | T 92.238.0260.1 01K b |
| / | | Normgepr. Stand. check | |
| / Vol. mm ³ Ofl./Surf. mm ² | | Ersatz für/Replacement for: - | |
| b 09.01.2013/ a 21.11.2012/ Index Datum / Blatt Date / Sheet | | Type Benennung/Tittle | |
| Änderung/Revision | | PRE-ASSEMBLED CABLE KONFEKT_LEITUNG | |
| Weitere Daten siehe Katalog further data see catalog | | Buchse/female - Stecker/male Crimpversion K1 ⓐ 250V AC 20A 2,5qmm halogen-free | |

These dimensions will be especially checked at delivery
 Only inspection dimensions
 With .F marked dimensions are only valid for internal use

Diese Maße werden bei Abnahme besonders geprüft
 Ausschließlich Prüfmaße
 Mit .F gekennzeichnete Maße sind nur für interne Zwecke gültig

922380260101K_2_CADW3027 Duetsch 2013-01-10T08:04:36 1.000