



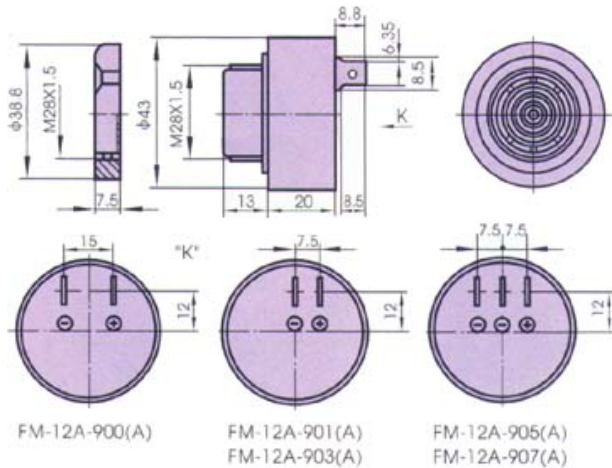
FM-12A-900TYPE



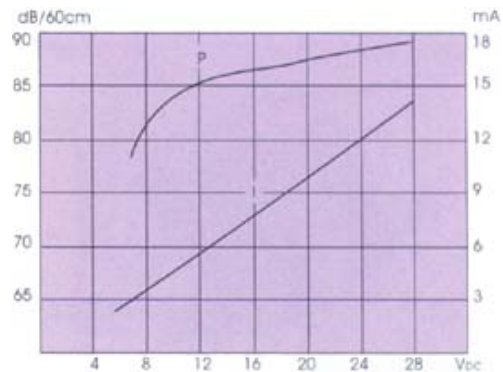
FEATURES:

- High output
- Sealed type
- High reliability

DIMENSIONS: (Unit: mm)



CHARACTERISTICS:



ELECTRICAL SPECIFICATIONS :

Model No.	FM-12A-900 FM-12A-900(A)	FM-12A-901 FM-12A-901(A)	FM-12A-903 FM-12A-903(A)	FM-12A-905 FM-12A-905(A)	FM-12A-907 FM-12A-907(A)
Min. Sound Pressure Level (dB)	80 /12V _{DC} /60cm-900~907		90 /12V _{DC} /60cm-900(A)~907(A)		
Rated Voltage (V _{DC})	12				
Operating Voltage (V _{DC})	6 ~ 28				
Max. Consumption (mA)	20 /12 V _{DC} 900~907			32 /12 V _{DC} 900A~907A	
Oscillating Frequency (kHz)	2.9 ± 0.5				
Tone Nature	Continuous	Fast Pulse	Slow Pulse	Continuous+ Fast pulse	Continuous+ Slow pulse
Operating Temperature (°C)	-20 ~ +70				
Weight (g)	35				
Case Material/Colour	ABS/Black				

PACKING INFORMATION :

Packing :	200 pcs per export carton
Carton Size :	47 X 30.5 X 31 cm
G. Weight :	9 kgs
N. Weight :	7.5 kgs