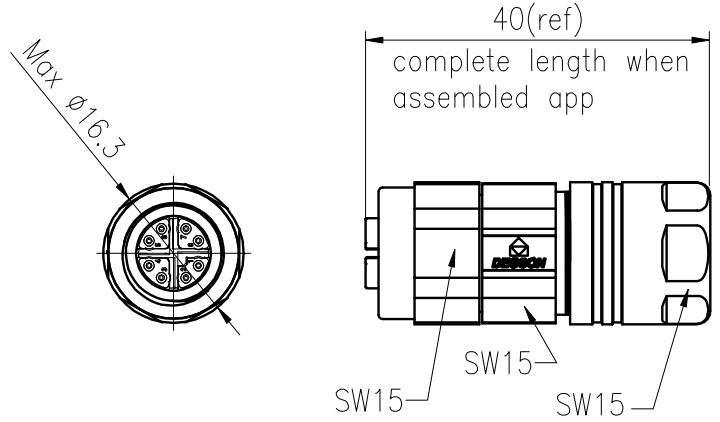
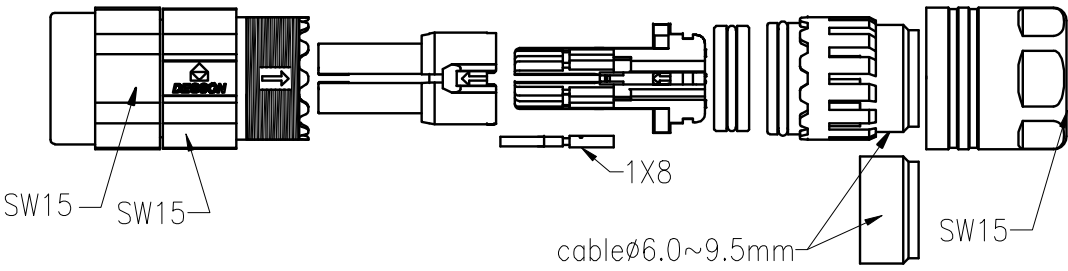
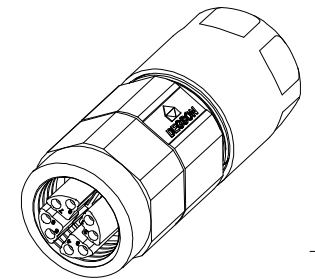


Dimensional tolerance(mm)					0.10/10 ±Z
0 ~ 30	>30 ~ 60	>60 ~ 100	>100 ~ 150	>150	
±0.25	±0.35	±0.55	±0.80	±1.10	

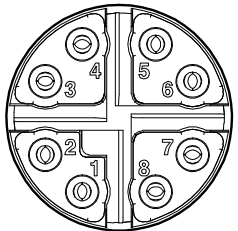


污染等级/Pollution degree	3
过压类别/Overvoltage Category	II
防护等级/Levels of protection	IP67
额定电压电流/Rated Voltage/Current	50V/0.5A
接触电阻>Contact resistance	≤ 10mΩ
绝缘电阻/Insulation resistance	≥ 100MΩ
插拔次数/Mechanical working life(mating cycles)	100
电缆线径范围/Cable range	ø6.0~ø9.5mm
电子线绝缘线径/Wire diameter including insulation	≤ ø1.6mm
电子线规格/AWG conductor cross section	26~22
接线容量/Conductor cross section	0.14mm ² ~0.34mm ²
接线方式/Connection method	Crimping
耐压/Withstanding voltage	500V AC
使用温度范围/Operating temperature(°C)	-40~+85



Field Assembly Plug

8	Blue	蓝
7	White/Blue	白/蓝
6	Brown	棕
5	White/Brown	白/棕
4	Green	绿
3	White/Green	白/绿
2	Orange	橙
1	White/Orange	白/橙
Pin.	marker Color	



Pin Assignment
Front View

REV	ECN	DESCRIPTION	DRFT	DATE

MATERIAL: /		SURFACE: /	
MAT NO.:		宁波高松电子有限公司 NINGBO DEGSON ELECTRICAL CO., LTD	
STATUS: /			
APPD:		NAME:	
CHKD:		PCSH-M12X-08P-FF-SL7001-00A(H)	
DRFT: Gao Q 2021.04.28		DRAWING NO.: XXX	REV D0-1
SIZE: A4	SCALE: 1:1	SHEET	1/1

Transfer or duplication of this document as well as the utilization or communication of its contents are prohibited unless explicit authorization is granted. Violations will be liable for compensation. All rights reserved for patent, utility model or designs registrations. 未经授权复制或传播本文件内容, 一经发现必究, 侵权者必究。 宁波高松电子有限公司 版权所有。