

## Data sheet

Commercial Art.No.: Z5.540.3825.0

PCB pin header 8142... /8 90° D1.3/1.3

PCB pin header, 8 poles, pitch: 5 mm, type of packing: carton, color: grey



Commercial Art.No.	Z5.540.3825.0
EAN	4015573354456
Order Unit	50

Certificates / Approvals



## Technical data

### General

Modular spacing	5 mm
Soldering process	Wave soldering
Packaging	Carton
Number of poles	8
Number of levels	1
Marking	No
Fastening	None
Mating direction towards (circuit) board	180°

### Technical data

Rated current	8 A
Overvoltage Category I	1000 V
Overvoltage Category II	250 V
Overvoltage Category III	200
Rated impulse voltage	4 kV

### Technical Data UL/CSA

Voltage UL	300 V
Current field wiring	15 A
Current factory wiring	15 A
Voltage CSA	300 V
Current CSA	15 A

### Other

Type of insulation material	Thermoplastic
Color	black

Height	14.5 mm
Length	40 mm
Depth	2.7 mm
Material contact base	CuZn
Material contact surface	Sn

**Classification**

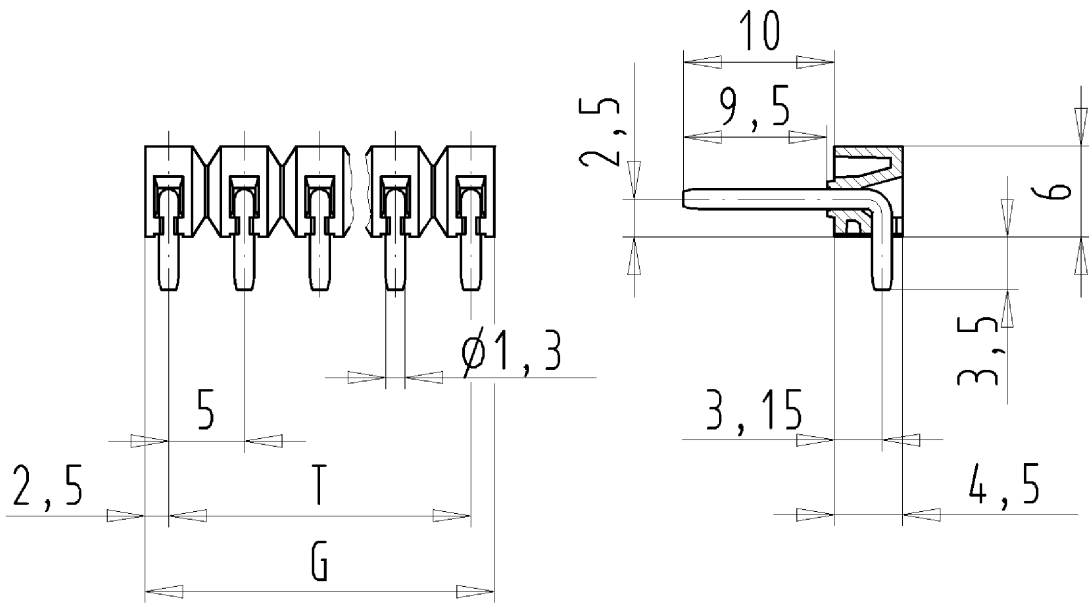
ECLASS 11	
ECLASS 8.1	27440402
ETIM 7.0	EC002637
ETIM 6.0	EC002637
ETIM 5.0	EC002637
ETIM 4.0	EC002637

**Product compliance**

ROHS conformity status	Compliant
REACH-SVHC conformity status	Compliant

**Fits with**

Commercial Art.No.:	Article-type description:	Description:
25.600.2853.0	Pluggable PCB Terminal 8142 / 8	Pluggable-PCB terminal with screw connection with wire protection, 8 poles, printed version, max. cross section: 2.5 mm <sup>2</sup> , pitch: 5 mm, type of packing: carton, color: grey
25.602.2853.0	Pluggable PCB Terminal 8142 / 8 OB	Pluggable-PCB terminal with screw connection with wire protection, 8 poles, max. cross section: 2.5 mm <sup>2</sup> , pitch: 5 mm, type of packing: carton, color: grey



für folgende Tabellen-Zchnng.  
 Z5.540.5425.0 Stiftleiste W für 8142

LP.STIFTLAISTE  
 Z5.540.3225.0 10W  
 06.11.2007 DÜT  
 M 2:1