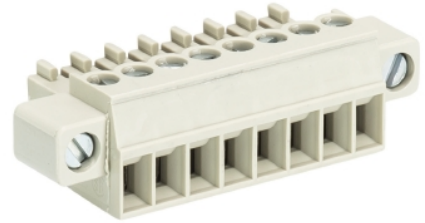


Data sheet

Commercial Art.No.: 25.641.4153.0

PCB connector 8513 B / 11 F OB

PCB female connector with screw connection with rising cage clamp system, 11 poles, max. cross section: 1.5 mm², pitch: 3.5 mm, type of packing: carton, color: grey



Commercial Art.No.	25.641.4153.0
EAN	4015573561540
Order Unit	50

Certificates / Approvals



Technical data

General

Modular spacing	3.5 mm
Connection type	screw connection
Soldering process	None
Packaging	Carton
Number of poles	11
Marking	No
Fastening	Flange
Mating direction towards connector	180°

Technical data

Nominal cross section	1.5 mm ²
Rated current	8 A
Overvoltage Category I	690 V
Overvoltage Category II	250 V
Overvoltage Category III	125
Rated impulse voltage	2.5 kV
Wire strip length	6.5 mm

Connection Data

Minimum cross section solid	0.14 mm ²
Maximum cross section solid	1.5 mm ²
Minimum cross section fine stranded	0.14 mm ²
Maximum cross section fine stranded	1.5 mm ²
Wire strip length	6.5 mm

Technical Data UL/CSA

Cross section UL	30-16 AWG
------------------	-----------

Voltage UL	300 V
Current field wiring	8 A
Current factory wiring	8 A
Cross section CSA	22-14 AWG
Voltage CSA	300 V
Current CSA	5 A

Other

Type of insulation material	Thermoplastic
Color	Grey
Height	11.1 mm
Length	48.9 mm
Depth	15.5 mm
Material attachment screw	Steel
Material contact base	CuSn
Material contact surface	Sn

Classification

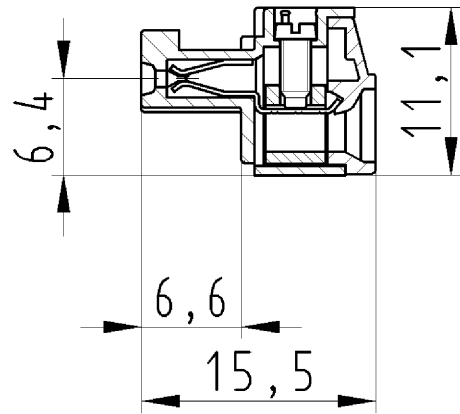
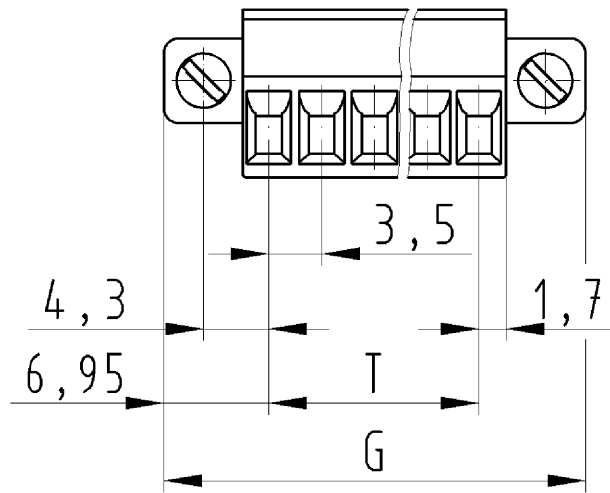
ECLASS 11	
ECLASS 8.1	27440402
ETIM 7.0	EC002637
ETIM 6.0	EC002637
ETIM 5.0	EC002637
ETIM 4.0	EC002637

Product compliance

ROHS conformity status	Compliant/Exempted
ROHS exceptions	III-6(c)
REACH-SVHC conformity status	Duty-To-Declare
REACH-SVHC substances	Lead
REACH-SVHC CAS numbers	7439-92-1

Fits with

Commercial Art.No.:	Article-type description:	Description:
25.647.4153.0	PCB pin header 8513 S / 11 WF OB	PCB pin header with pin header, connection method depends on used socket part , 11 poles, pitch: 3.5 mm, type of packing: carton, color: grey
25.646.4153.0	PCB pin header 8513 S / 11 GF OB	PCB pin header with pin header, connection method depends on used socket part , 11 poles, pitch: 3.5 mm, type of packing: carton, color: grey



für folgende Tabellen-Zchnng.
 25.641.3253.0 8513 B/ ... F OB

LP-Steckklemme
 25.641.3253.0 10W
 22.10.2007 DÜT
 M2:1