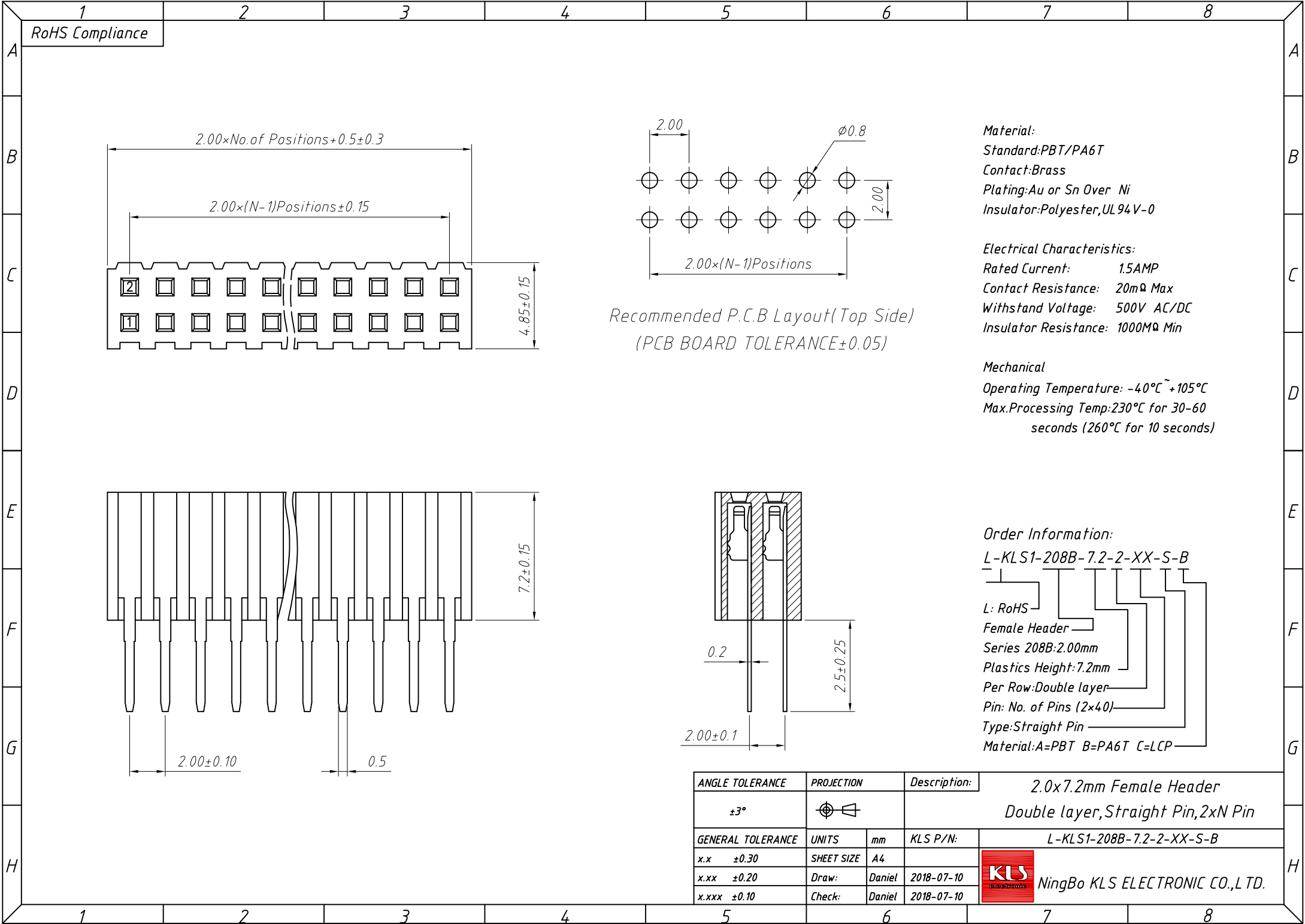


1
RoHS Compliance



Material:
Standard:PBT/PA6T
Contact:Brass
Plating:Au or Sn Over Ni
Insulator:Polyester,UL94V-0

Electrical Characteristics:
Rated Current: 15AMP
Contact Resistance: 20mΩ Max
Withstand Voltage: 500V AC/DC
Insulator Resistance: 1000MΩ Min

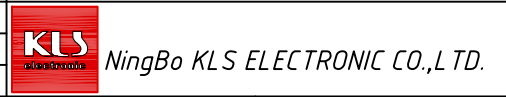
Mechanical
Operating Temperature: -40°C ~ +105°C
Max.Processing Temp:230°C for 30-60 seconds (260°C for 10 seconds)

Recommended P.C.B Layout (Top Side)
(PCB BOARD TOLERANCE ±0.05)

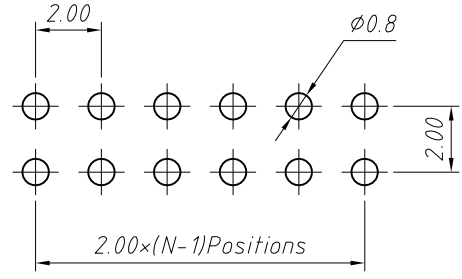
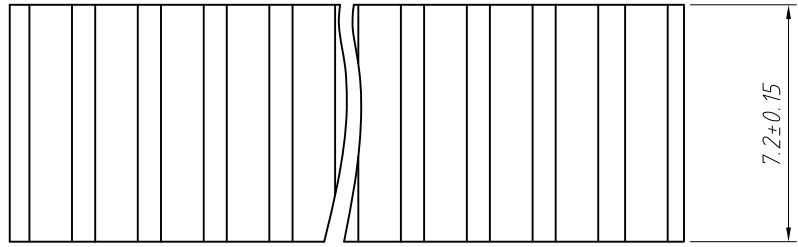
Order Information:
L-KLS1-208B-7.2-2-XX-S-B

- L: RoHS
- Female Header
- Series 208B:2.00mm
- Plastics Height:7.2mm
- Per Row:Double layer
- Pin: No. of Pins (2x40)
- Type: Straight Pin
- Material:A=PBT B=PA6T C=LCP

ANGLE TOLERANCE	PROJECTION	Description:	2.0x7.2mm Female Header Double layer, Straight Pin, 2xN Pin
±3°			
GENERAL TOLERANCE	UNITS	mm	KLS P/N:
x.x ±0.30	SHEET SIZE	A4	L-KLS1-208B-7.2-2-XX-S-B
x.xx ±0.20	Draw:	Daniel	2018-07-10
x.xxx ±0.10	Check:	Daniel	2018-07-10



1
RoHS Compliance

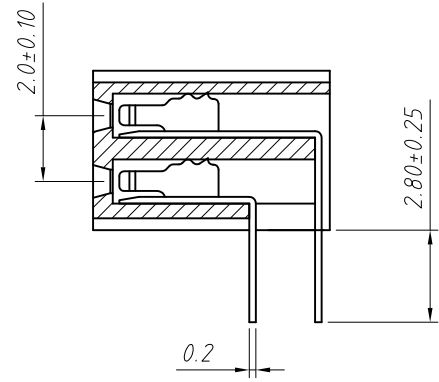
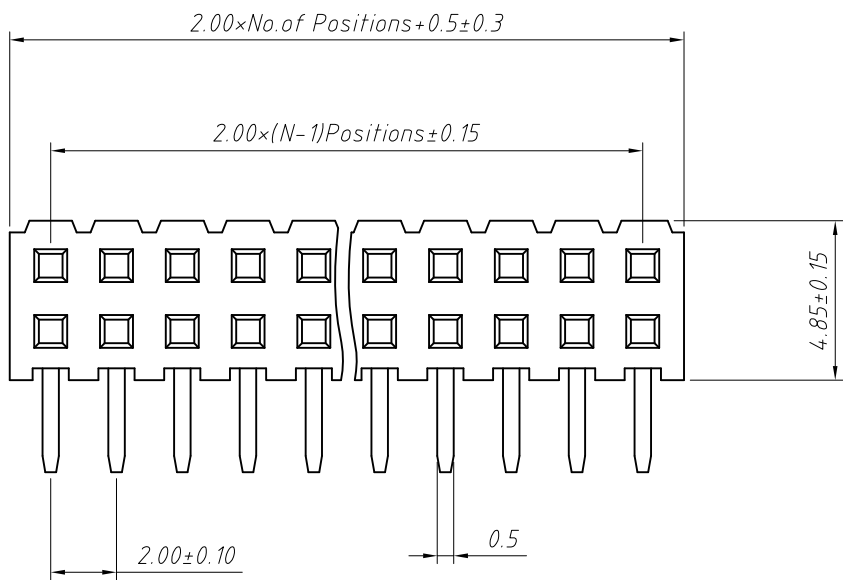


Recommended P.C.B Layout (Top Side)
(PCB BOARD TOLERANCE ±0.05)

Material:
Standard: PBT/PA6T
Contact: Brass
Plating: Au or Sn Over Ni
Insulator: Polyester, UL94V-0

Electrical Characteristics:
Rated Current: 1.5AMP
Contact Resistance: 20mΩ Max
Withstand Voltage: 500V AC/DC
Insulator Resistance: 1000MΩ Min

Mechanical
Operating Temperature: -40°C ~ +105°C
Max. Processing Temp: 230°C for 30-60 seconds (260°C for 10 seconds)



Order Information:
L-KLS1-208B-7.2-2-XX-R-B

- L: RoHS
- Female Header
- Series 208B: 2.00mm
- Plastics Height: 7.2mm
- Per Row: Double layer
- Pin: No. of Pins (2x40)
- Type: Right Angle Pin
- Material: A=PBT B=PA6T C=LCP

ANGLE TOLERANCE	PROJECTION	Description:	2.0x7.2mm Female Header	
±3°			Double layer, Right Angle Pin, 2xN Pin	
GENERAL TOLERANCE	UNITS	mm	KLS P/N:	L-KLS1-208B-7.2-2-XX-R-B
x.x ±0.30	SHEET SIZE	A4		
x.xx ±0.20	Draw:	Daniel	2018-07-10	
x.xxx ±0.10	Check:	Daniel	2018-07-10	

NingBo KLS ELECTRONIC CO.,LTD.