

Data sheet

Commercial Art.No.: 70.340.1635.0

Bottom BAS GUT GF 16 M25 A0

Bottom-base revos basic made of aluminum, for double locking lever with cable gland M25 on the left and right side, with protective cover (IP54), low version, 16-polig



Commercial Art.No.	70.340.1635.0
EAN	4015573618039
Order Unit	1

Certificates / Approvals



Technical data

General

Housing material	aluminum
Color	Grey
Surface	With powder coating
Degree of protection (IP)	IP54
UV resistant	yes
Inflammability class of insulation material acc. with UL94	Other
Operating temperature range min.	-40 °C
Operating temperature range max.	120 °C

Model

Construction	16
Locking mechanism	Double locking levers
Cable entry	Two-sided
Type of cable	Gland nut
With cable screw gland	yes
Thread size M	25
Thread size PG	
Hinged lid	yes
EMC-version	No
Length	117 mm
Width	57 mm
Height	57 mm

Classification

ECLASS 11	
ECLASS 8.1	27440202
ETIM 7.0	EC000437
ETIM 6.0	EC000437
ETIM 5.0	EC000437
ETIM 4.0	EC000437
ETIM 3.0	EC000437

Product compliance

ROHS conformity status	Compliant/Exempted
ROHS exceptions	III-6(a); III-6(c)
REACH-SVHC conformity status	Duty-To-Declare
REACH-SVHC substances	Lead
REACH-SVHC CAS numbers	7439-92-1

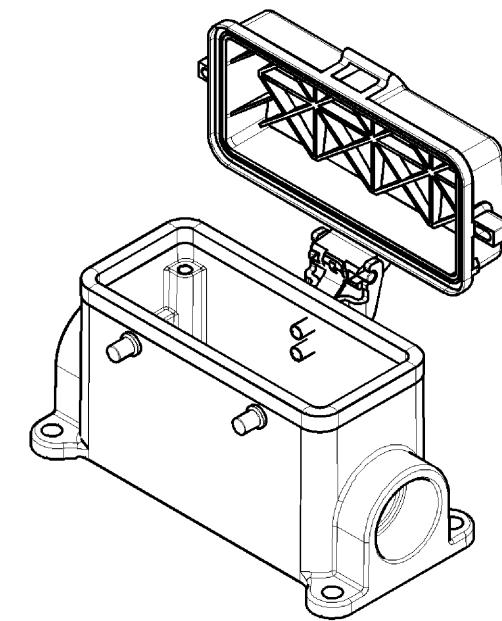
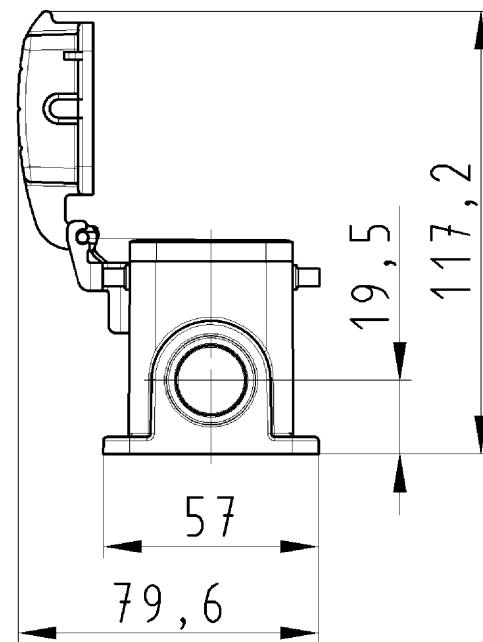
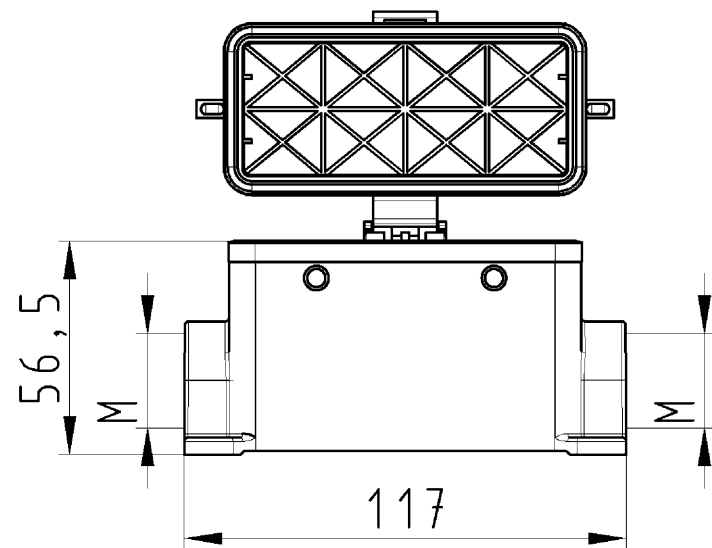
Fits with

Commercial Art.No.:	Article-type description:	Description:
70.100.1653.3	Multipole adapter BAS BAS LL 16 4,0 50	Multipole adapter revos BASIC 500V/16A screw connection 16 pole + ground, long design, female insert, ground left
70.100.1653.4	Multipole adapter BAS BAS KL 16 4,0 50	Multipole adapter revos BASIC 500V/16A screw connection 16 pole + ground, short design, female insert, ground left
70.105.1653.3	Multipole adapter BAS BAS LR 16 4,0 50	Multipole adapter revos BASIC 500V/16A screw connection 16 pole + ground, long design, female insert, ground right
70.105.1653.4	Multipole adapter BAS BAS KR 16 4,0 50	Multipole adapter revos BASIC 500V/16A screw connection 16 pole + ground, short design, female insert, ground right
70.110.1653.3	Multipole adapter BAS SAS LL 16 4,0 50	Multipole adapter revos BASIC 500V/16A screw connection 16 pole + ground, long design, male insert, ground left
70.110.1653.4	Multipole adapter BAS SAS KL 16 4,0 50	Multipole adapter revos BASIC 500V/16A screw connection 16 pole + ground, short design, male insert, ground left
70.115.1653.3	Multipole adapter BAS SAS LR 16 4,0 50	Multipole adapter revos BASIC 500V/16A screw connection 16 pole + ground, long design, male insert, ground right
70.115.1653.4	Multipole adapter BAS SAS KR 16 4,0 50	Multipole adapter revos BASIC 500V/16A screw connection 16 pole + ground, short design, male insert, ground right
70.101.1653.0	Multipole adapter BAS BAF KL 16 2,5 50	Multipole adapter revos BASIC 500V/16A spring clamp connection 16 pole + ground, short design, female insert, ground left
70.106.1653.0	Multipole adapter BAS BAF KR 16 2,5 50	Multipole adapter revos BASIC 500V/16A spring clamp connection 16 pole + ground, short design, female insert, ground right
70.111.1653.0	Multipole adapter BAS SAF KL 16 2,5 50	Multipole adapter revos BASIC 500V/16A spring clamp connection 16 pole + ground, short design, male insert, ground left
70.116.1653.0	Multipole adapter BAS SAF KR 16 2,5 50	Multipole adapter revos BASIC 500V/16A spring clamp connection 16 pole + ground, short design, male insert, ground right
70.300.1602.0	Female insert BAS BUS 16 2,5 50 AG	Female insert revos basic, 16-poles, rated current: 16A, rated voltage:500V, with silver-plated contacts
70.300.1640.0	Female insert BAS BUS 16 2,5 50	Female insert revos basic, 16-poles, rated current: 16A, rated voltage:500V, with tin-plated contacts
70.301.1640.0	Female insert BAS BUS 16 2,5 50 AU	Female insert revos basic, 16-poles, rated current: 16A, rated voltage:500V, with gold-plated contacts
70.302.1640.0	Female insert BAS BUS OD 16 2,5 50	Female insert revos basic, 16-poles, rated current: 16A, rated voltage:500V, with tin-plated contacts
70.310.1602.0	Male insert BAS STS 16 2,5 50 AG	Male insert revos basic, 16-poles, rated current: 16A, rated voltage: 500V, with silver-plated contacts

70.310.1640.0	Male insert BAS STS 16 2,5 50	Male insert revos basic, 16-poles, rated current: 16A, rated voltage: 500V, with tin-plated contacts
70.311.1640.0	Male insert BAS STS 16 2,5 50 AU	Male insert revos basic, 16-poles, rated current: 16A, rated voltage: 500V, with gold-plated contacts
70.312.1640.0	Male insert BAS STS OD 16 2,5 50	Male insert revos basic, 16-poles, rated current: 16A, rated voltage: 500V, with tin-plated contacts
70.500.1653.0	Female insert BAS BUF 16 2,5 50	Female insert revos basic, 16-poles, rated current: 16A, rated voltage:500V, with silver-plated contacts
70.510.1653.0	Male insert BAS STF 16 2,5 50	Male insert revos basic, 16-poles, rated current: 16A, rated voltage: 500V, with tin-plated contacts
70.700.1658.0	Female insert BAS BUC 16 50	Female insert revos basic, 16-poles, rated current: 16A, rated voltage:500V, with tin-plated contacts
70.710.1658.0	Male insert BAS STC 16 50	Male insert revos basic, 16-poles, rated current: 16A, rated voltage: 500V, with tin-plated contacts
70.800.3256.0	Female insert BAS BUCK 32 50 PC	Female insert revos basic, 32-poles, polycarbonate insert, rated current: 16A, rated voltage: 500V, with gold-plated or silver-plated contacts
70.810.3256.0	Male insert BAS STCK 32 50 PC	Male insert revos basic, 32-poles, polycarbonate insert, rated current: 16A, rated voltage: 500V, with gold-plated or silver-plated contacts
70.400.0640.0	Female insert BAS BUS 6 2,5 64	Female insert revos basic, 6-poles, rated current: 16A, rated voltage: 690V, with tin-plated contacts
70.410.0640.0	Male insert BAS STS 6 2,5 64	Male insert revos basic, 6-poles, rated current: 16A, rated voltage: 690V, with tin-plated contacts
72.300.1653.0	Female insert BAS BUS 16 2,5 69	Female insert revos basic, 16-poles, rated current: 16A, rated voltage:690V, with tin-plated contacts
72.310.1653.0	Male insert BAS STS 16 2,5 69	Male insert revos basic, 16-poles, rated current: 16A, rated voltage: 690V, with tin-plated contacts
72.700.1658.0	Female insert BAS BUC 16 69	Female insert revos basic, 16-poles, rated current: 16A, rated voltage:690V, with tin-plated contacts
72.710.1658.0	Male insert BAS STC 16 69	Male insert revos basic, 16-poles, rated current: 16A, rated voltage: 690V, with tin-plated contacts
73.800.7253.0	Female insert DD BUC 72 1,5 25	revos DD 72 pole + ground, female insert 250V/10A, crimp connection
73.810.7253.0	Male insert DD STC 72 1,5 25	revos DD 72 pole + ground, male insert, 250V/10A, crimp connection
70.200.0653.0	Female insert POW BUS 6 6,0 40 AG	revos POWER 6 pole + ground, female insert 400V/35A, screw connection
70.210.0653.0	Male insert POW STS 6 6,0 40 AG	revos POWER 6 pole + ground, male insert 400V/35A, screw connection
72.205.0653.0	Female insert POW BUS 4/2 FA DB AG	revos POWER 4-/2 pole + ground, male insert 690V/4x82A + 400V/2x16A, screw connection
72.215.0653.0	Male insert POW STS 4/2 FA DB AG	revos POWER 4-/2 pole + ground, female insert 690V/4x82A + 400V/2x16A, screw connection
70.405.1653.0	Female insert BAS BUP 16 2,5 50 AG	Female insert revos basic, 16-poles, rated current: 16A, rated voltage:500V, with silver-plated contacts
70.415.1653.0	Male insert BAS STP 16 2,5 50 AG	Male insert revos basic, 16-poles, rated current: 16A, rated voltage: 500V, with silver-plated contacts

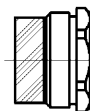
These dimensions will be especially checked at delivery
 Only inspection dimensions
 With ± marked dimensions are only valid for internal use

Diese Maße werden bei Abnahme besonders geprüft
 Ausschließlich Prüfmaße
 Mit ± gekennzeichnete Maße sind nur für interne Zwecke gültig

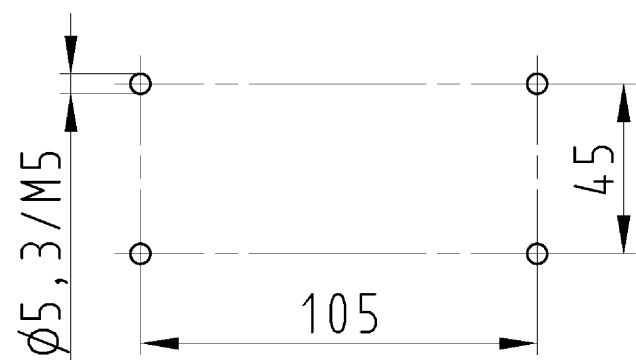


Varianten/Variants

.0



70.340.1635.1	BAS GUT GF 16 M25 A 1	Gewindebohrung /Thread hole	X
70.340.1635.0	BAS GUT GF 16 M25 A 0	Kabelverschraubung(KV), IP54 montiert /Cable gland(CG), IP54 assembled	
Bestellnummer /Order number	Typ /Type	Varianten /Variants	der-gestellt /drawn
Weitere Daten siehe KATALOG oder eKatalog. Additional data see CATALOG or eCatalog.		www.wieland-electric.com eshop.wieland-electric.com	



Bohrbild /Cut out

Tolerierung Size ISO 14405/Tolerance system Size ISO 14405. (This ISO-standard describes the envelope principle. According to the envelope principle the deviations of form and parallelism are limited by the size tolerances).		ja/yes <input checked="" type="checkbox"/> Stoffverbots- und Deklarationsliste nach UU-TQM-05/03 ist einzuhalten. Conformity with Wieland document UU-TQM-05/03 (list of prohibited / declarable hazardous substances) to be declared!	
Freitoleranz nach General tolerance		CAD - Zeichnung, keine manuellen Änderungen CAD - drawing, no manual modifications allowed	1.Verwendung: - First Use:
Blatt: 1 von 1 Sheet: of 1		Zeichnung Nr./Drawing No. Index	
T 70.340.1635.0 13K		Maße in mm/Dimensions are in mm	
Werkstoff/Material Aluminium beschichtet/coated grau/grey		2013 Tag/Date Name	gezeichnet/drawn 22.05. Treschan
Maßstab/Scale 1:2		geprüft/checked	-
Vol. mm³		Normgepr. Stand. check	-
wieland Elektrische Verbindungen		Ersatz für/Replacement for: -	
Index Datum / Blatt Date / Sheet		Type revos BASIC	Benennung/Titel GEHAEUSEUNTERTEIL
Änderung/Revision		Baugröße 16-Kabelabgang 2x M25 Housing size 16-Cable outlet 2x M25	

Weitergabe sowie Vervielfältigung dieses Dokuments, Verwertung und Mitteilung seines Inhalts sind verboten, soweit nicht ausdrücklich gestattet. The reproduction, distribution and utilization of this document as well as the communication of its contents to others without express authorization is prohibited.

703401635013K_2 CADW3028 Treschan 2013-09-20T12:46:08 1.000