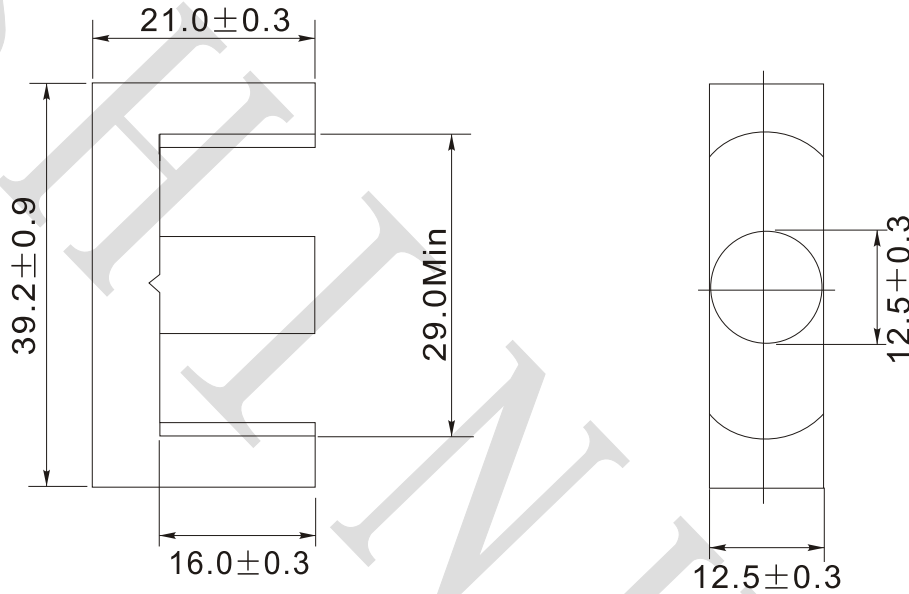


CUSTOMER		PART NO:	P3 ETD3942
DATE	2020-01-09	TEMPERATURE	25°C
HUMIDITY	48%		

## 1. DIMENSIONS



## 2. ELECTRICAL CHARACTERISTICS

AL nH	$\Sigma I/A$ $\text{mm}^{-1}$	$l_e$ mm	$A_e$ $\text{mm}^2$	$V_e$ $\text{mm}^3$	Wt g
$2800 \pm 25\%$	0.76	93.92	124.2	11663	59.4
TEST CONDITIONS	AL: F=1KHz U=0.25V T=25°C ±3°C N=10Ts $\Phi 0.35\text{mm}$				
TESTING EQUIPMENT	HP4284A CH-258				

Initial permeability:  $2300 \pm 25\%$

PRPARED BY		APPROVED BY	
------------	--	-------------	--

[www.shinhom.com](http://www.shinhom.com)