

Data sheet

Commercial Art.No.: 27.356.0453.0

PCB pin header 8213 SEG/ 4/ 8 W OB

PCB pin header, 4 poles, pitch: 5.08 mm, type of packing: carton, color: grey



Commercial Art.No.	27.356.0453.0
EAN	4015573687387
Order Unit	50

Certificates / Approvals



Technical data

General

Modular spacing	5.08 mm
Soldering process	Wave soldering
Packaging	Carton
Number of poles	8
Number of levels	2
Marking	No
Fastening	None
Mating direction towards (circuit) board	180°

Technical data

Rated current	10 A
Overvoltage Category I	400 V
Overvoltage Category II	400 V
Overvoltage Category III	250 V
Rated impulse voltage	4 kV

Technical Data UL/CSA

Voltage UL	300 V
Current field wiring	10 A
Current factory wiring	10 A
Voltage CSA	300 V

Current CSA	10 A
-------------	------

Other

Type of insulation material	Thermoplastic
Color	Grey
Height	28.5 mm
Length	22.32 mm
Depth	22 mm
Material contact base	CuSn
Material contact surface	Sn

Classification

ECLASS 11	
ECLASS 8.1	27440402
ETIM 7.0	EC002637
ETIM 6.0	EC002637
ETIM 5.0	EC002637
ETIM 4.0	EC002637

Product compliance

ROHS conformity status	Compliant
REACH-SVHC conformity status	Compliant

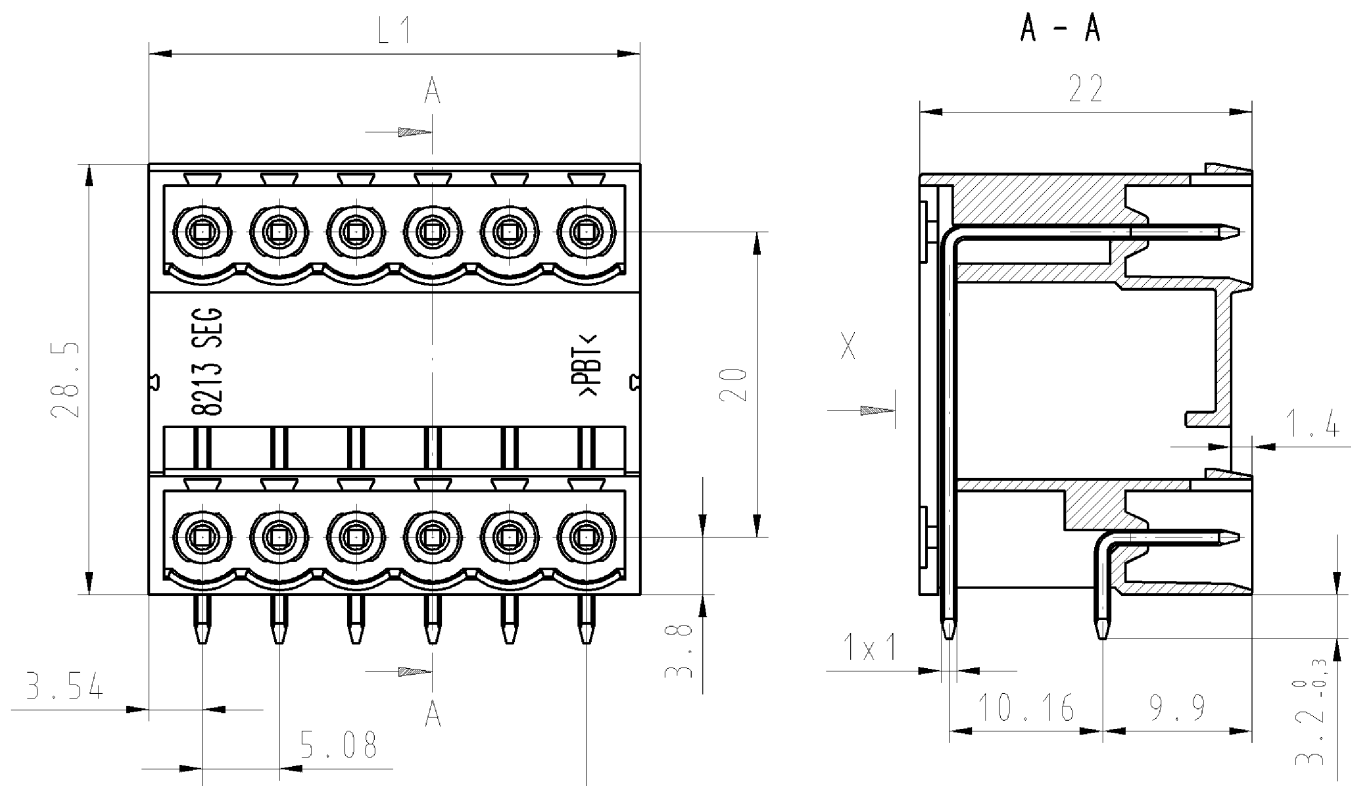
Fits with

Commercial Art.No.:	Article-type description:	Description:
25.240.3453.0	PCB connector 8213 B / 4 TOP OB	PCB female connector with front/top screw connection, 4 poles, max. cross section: 2.5 mm ² , pitch: 5.08 mm, type of packing: carton, color: grey
25.240.0453.0	PCB connector 8213 B / 4 TOP	PCB female connector with front/top screw connection, 4 poles, printed version, max. cross section: 2.5 mm ² , pitch: 5.08 mm, type of packing: carton, color: grey
25.340.3453.0	PCB connector 8213 B / 4 OB	PCB female connector with screw connection with rising cage clamp system, 4 poles, max. cross section: 2.5 mm ² , pitch: 5.08 mm, type of packing: carton, color: grey
25.340.0453.0	PCB connector 8213 B / 4	PCB female connector with screw connection with rising cage clamp system, 4 poles, printed version, max. cross section: 2.5 mm ² , pitch: 5.08 mm, type of packing: carton, color: grey
25.345.3453.0	PCB connector 8213 B / 4 VR OB	PCB female connector with screw connection with rising cage clamp system, 4 poles, max. cross section: 2.5 mm ² , pitch: 5.08 mm, type of packing: carton, color: grey
25.345.0453.0	PCB connector 8213 B / 4 VR	PCB female connector with screw connection with rising cage clamp system, 4 poles, printed version, max. cross section: 2.5 mm ² , pitch: 5.08 mm, type of packing: carton, color: grey
25.346.3453.0	PCB connector 8213 B / 4 VL OB	PCB female connector with screw connection with rising cage clamp system, 4 poles, max. cross section: 2.5 mm ² , pitch: 5.08 mm, type of packing: carton, color: grey
25.346.0453.0	PCB connector 8213 B / 4 VL	PCB female connector with screw connection with rising cage clamp system, 4 poles, printed version, max. cross section: 2.5 mm ² , pitch: 5.08 mm, type of packing: carton, color: grey
27.341.3453.0	PCB connector 8213 B / 4 S OB	PCB female connector, 4 poles, pitch: 5.08 mm, type of packing: carton,color: grey

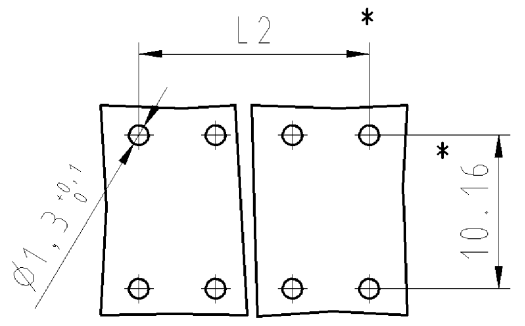
25.840.3453.0	PCB connector 8213 BFK / 4 TOP OB	PCB female connector with tension spring connection, 4 poles, max. cross section: 2.5 mm ² , pitch: 5.08 mm, type of packing: carton, color: grey
25.840.0453.0	PCB connector 8213 BFK / 4 TOP	PCB female connector with tension spring connection, 4 poles, printed version, max. cross section: 2.5 mm ² , pitch: 5.08 mm, type of packing: carton, color: grey

These dimensions will be especially checked at delivery
 Only inspection dimensions
 With /E marked dimensions are only valid for internal use

Diese Maße werden bei Abnahme besonders geprüft
 Ausschließlich Prüfmaße
 Mit /E gekennzeichnete Maße sind nur für interne Zwecke gültig



gezeichnet/drawn:
 27.356.0253.0



Lochbild/Layout

*) Lochbildtoleranz n. IEC 326 T3, sehr fein/
 drill hole tolerances acc. to IEC 326 Part 3 very fine

Technische Daten
 Technical Data

	VDE	UL	CSA
Bemessungsspannung V rated voltage	250	300	300
Bemessungsstrom A rated current	10	10	10
Brennbarkeitsklasse UL 94 V-0 flamability rating UL 94 V-0			
Verschmutzungsgrad 3/Überspannungskategorie III pollution degree 3/overvoltage category III			

Kontaktbasismaterial contact basis material	CuSn4 F47
Diffusionssperre diffusion barrier	Cu 2-3µm
Kontaktoberfläche contact surface	Sn 4-6µm
Isoliermaterial insulating material	PBT

Teile-Nr. part no.	Typ type	Polzahl pole	L1	
27.356.0253.0	8213 SEG / 2 / 4 W OB	4	12.16	5.08
27.356.0353.0	8213 SEG / 3 / 6 W OB	6	17.24	10.16
27.356.0453.0	8213 SEG / 4 / 8 W OB	8	22.32	15.24
27.356.0553.0	8213 SEG / 5 / 10 W OB	10	27.40	20.32
27.356.0653.0	8213 SEG / 6 / 12 W OB	12	32.48	25.40
27.356.0753.0	8213 SEG / 7 / 14 W OB	14	37.56	30.48
27.356.0853.0	8213 SEG / 8 / 16 W OB	16	42.64	35.56
27.356.0953.0	8213 SEG / 9 / 18 W OB	18	47.72	40.64
27.356.1053.0	8213 SEG / 10 / 20 W OB	20	52.80	45.72
27.356.1153.0	8213 SEG / 11 / 22 W OB	22	57.88	50.80
27.356.1253.0	8213 SEG / 12 / 24 W OB	24	62.96	55.88
27.356.1353.0	8213 SEG / 13 / 26 W OB	26	68.04	60.96
27.356.1453.0	8213 SEG / 14 / 28 W OB	28	73.12	66.04
27.356.1553.0	8213 SEG / 15 / 30 W OB	30	78.20	71.12
27.356.1653.0	8213 SEG / 16 / 32 W OB	32	83.28	76.20
27.356.1753.0	8213 SEG / 17 / 34 W OB	34	88.36	81.28
27.356.1853.0	8213 SEG / 18 / 36 W OB	36	93.44	86.36
27.356.1953.0	8213 SEG / 19 / 38 W OB	38	98.52	91.44
27.356.2053.0	8213 SEG / 20 / 40 W OB	40	103.60	96.52
27.356.2153.0	8213 SEG / 21 / 42 W OB	42	108.68	101.60
27.356.2253.0	8213 SEG / 22 / 44 W OB	44	113.76	106.68
27.356.2353.0	8213 SEG / 23 / 46 W OB	46	118.84	111.76
27.356.2453.0	8213 SEG / 24 / 48 W OB	48	123.92	116.84

Weitere Daten siehe Katalog
 further data see catalog

Tolerierung nach DIN 7167/Tolerance system acc. to DIN 7167.
 (This DIN-standard describes the envelope principle. According to the envelope principle the deviations of form and parallelism are limited by the size tolerances).

ja/yes Stoffverbots- und Deklarationsliste nach UU-TQM-05/03 ist einzuhalten.
 Conformity with Wieland document UU-TQM-05/03 (list of prohibited / declarable hazardous substances) to be declared!

Freitoleranz nach General tolerance	CAD - Zeichnung, keine manuellen Änderungen CAD - drawing, no manual modifications allowed	1. Verwendung: First Use:	Blatt: 1 von 1 Sheet: of 1
Werkstoff/Material Farbe: grau, ähnl. RAL7032 colour: grey, sim. to RAL7032	2002 Tag/Date Name gezeichnet/drawn 30.04. Bauer F. geprüft/checked Nicht gepr. / Stand. check	Zeichnung Nr./Drawing No. T 27.356.0253.0 01K a	
Maßstab/Scale 2:1	Maße in mm/Dimensions are in mm		
Vol. mm³	Öl./Surf. mm²	Ersatz für/Replacement for: -	
a 04.05.2006/ Index Datum / Blatt Date / Sheet	wieland Elektrische Verbindungen	Type 8213 SEG /./. W OB	Benennung/Title LP_STIFTLISTE Rastermaß 5,08 PCB-Header pitch 5,08
Änderung/Revision			

Weitergabe sowie Verwertung dieses Dokuments, Vervielfältigung und Mitteilung seines Inhalts sind verboten, soweit nicht ausdrücklich gestattet. Die Reproduktion, distribution and utilization of this document as well as the communication of its contents to others without express authorization is prohibited.

273560253001K_4_CADW1044_Schnitt 2006-05-04/11:42:53 1.000