



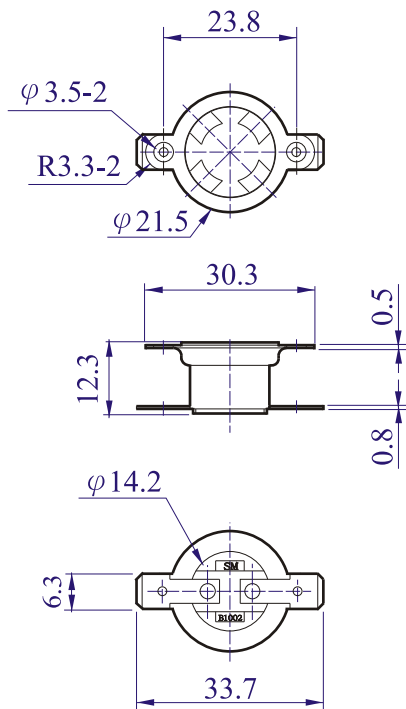
SERIES B-1002A.B

Thermostat | Overheat Protector | Thermal cut-off

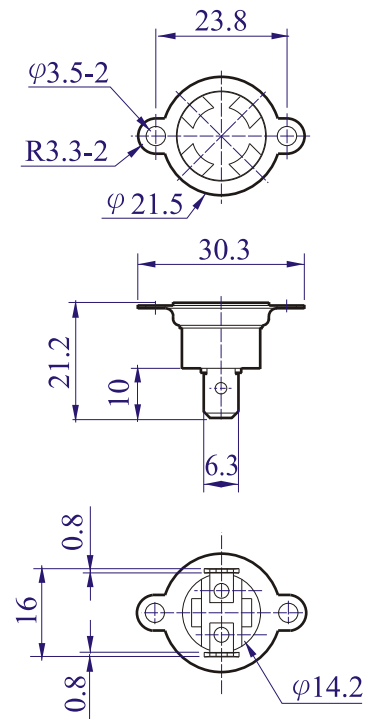
Sang Mao



B-1002A



B-1002B



DIMENSION IN mm

SPECIFICATIONS:

- * TEMPERATURE RANGE: **45 - 165°C**
- * OPERATING TOLERANCE: **±5°C, ±8°C, ±10°C**
- * RESET DIFFERENTIAL: **10°C - 50°C**
- * INPUT POWER: **32 VDC / 125 VAC / 250 VAC**
- * CONTACTS TYPE: NORMALLY CLOSE / NORMALLY OPEN .
- * CONTACTS ENDURANCE: (RESISTIVE LOAD)
 - 32VDC × 100mA -- 50,000 CYCLES**
 - 125VAC × 10A -- 100,000 CYCLES**
 - 125VAC × 15A -- 30,000 CYCLES**
 - 250VAC × 6A -- 30,000 CYCLES**
- * INTERRUPT CAPACITY: **125VAC × 60A -- 5 CYCLES .**
- * OVERSHOOT TEMPERATURE: **200°C / 5 MINUTES .**
- * DIELECTRIC STRENGTH: **1500VAC / 1 MINUTE .**
- * METHOD OF OPERATION : **AUTOMATIC INTERRUPTION AND AUTOMATIC RESETTING .**
- * **IEC - 934** METHOD OF TRIPPING: "**TO**" = **THERMAL .**
- * DEGREE OF TRIP - FREE BEHAVIOUR : "**CYCLING TRIP - FREE**"
- * RESET TYPE: AUTO RESET .

APPROVAL :

- U L** APPROVAL: **75°C - 145°C**
10A 125VAC
- CSA** APPROVAL: **75°C - 145°C**
10A 120VAC

APPLICATIONS :

- * TEMPERATURE CONTROLLER
- * COFFEE MAKER
- * DISH WASHER
- * HOT PLATE

