

THIS DRAWING IS UNPUBLISHED.

RELEASED FOR PUBLICATION NOV ,2003.

© COPYRIGHT 2003 By -

ALL RIGHTS RESERVED.

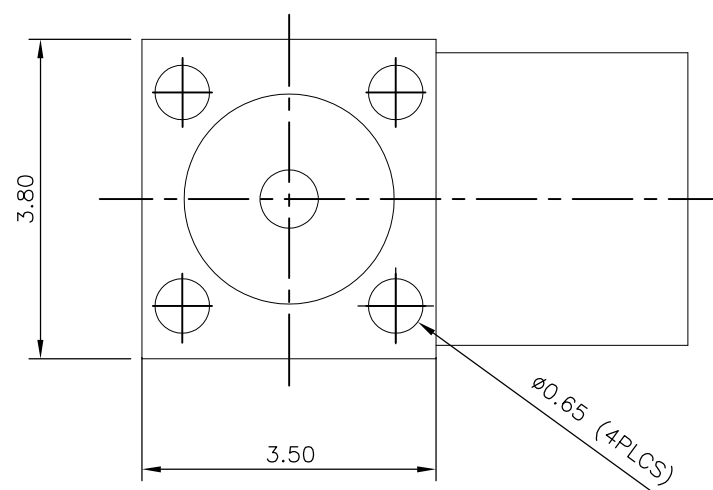
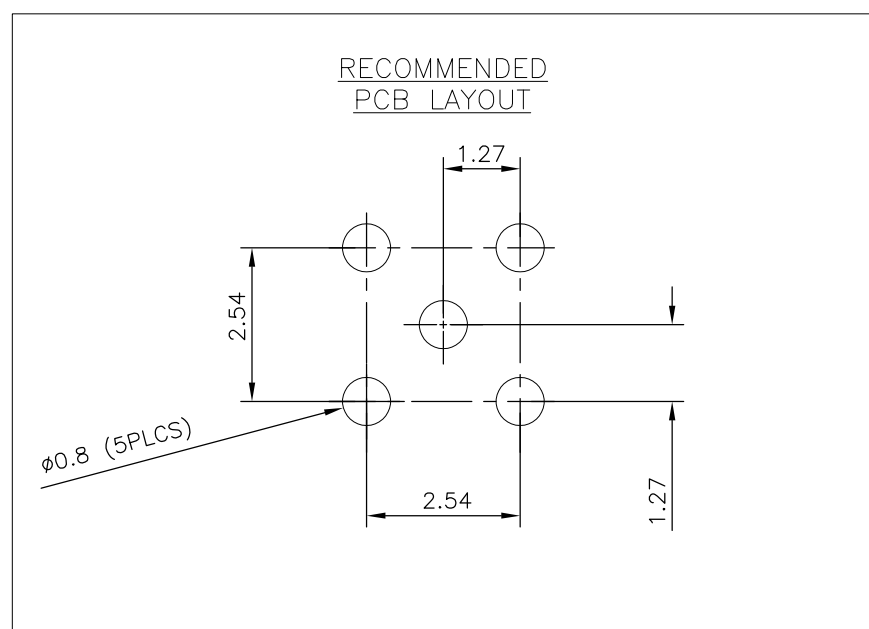
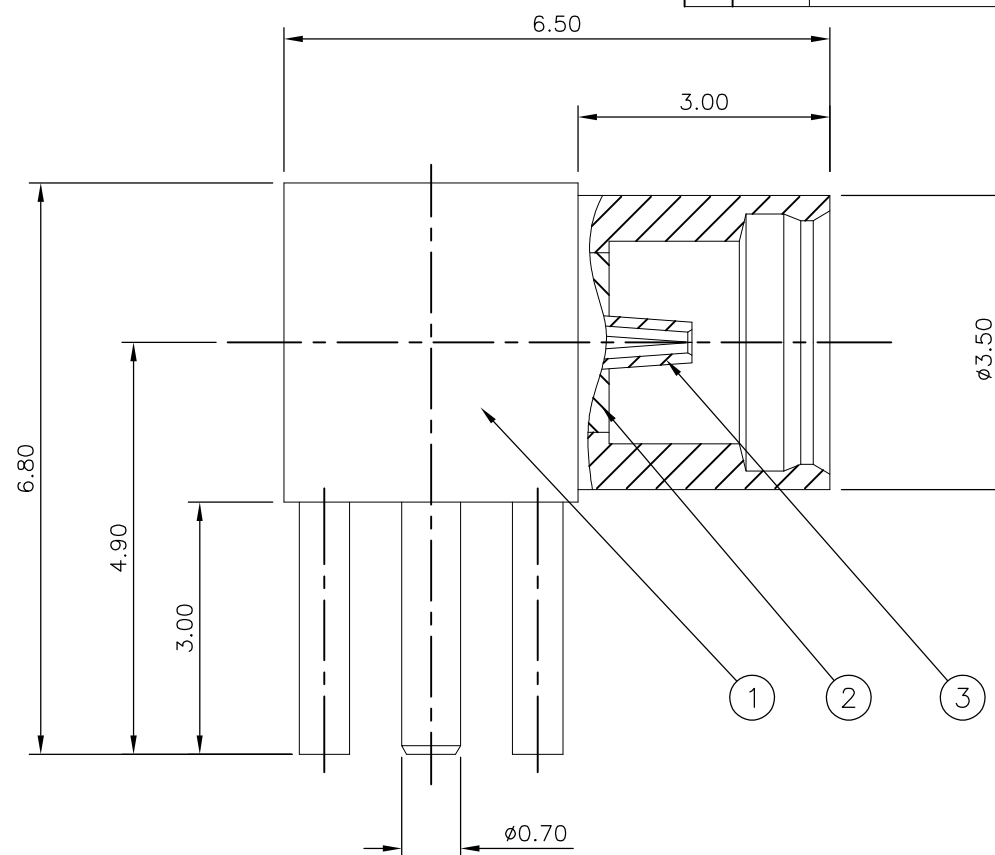
LOC E	DIST B	REVISIONS		
P	LTR	DESCRIPTION	DATE	DWN
	D2	REVISED PER ECO-14-015544	16OCT2014	MY

NOTES:

- 1 SINGLE PACK IN ACCORDANCE WITH AMP SPEC 107-3275
- 2 100 TRAY PACK IN ACCORDANCE WITH AMP SPEC 107-3275
- 3 Au PLATING OVER Ni PLATING OVER Cu PLATING
- 4. CHARACTERISTICS

FREQUENCY RANGE:	DC-6GHz
NOMINAL IMPEDANCE:	50 OHMS
WORKING VOLTAGE:	170V RMS
INSULATION RESISTANCE:	1000 MOHMS
DIELECTRIC WITHSTAND VOLTAGE:	500V RMS
CONTACT RESISTANCE:	5.0 mOHMS
CENTRE CONTACT	
- 5. MECHANICAL CHARACTERISTICS

DURABILITY:	500 CYCLES
-------------	------------
- 6. FOR TECHNICAL DATA REFER TO YOUR LOCAL TE CONNECTIVITY SALES OFFICE
- 7. ALL DIMENSIONS ARE NOMINAL FOR REFERENCE ONLY UNLESS OTHERWISE STATED



	1	1	BERYLLIUM COPPER	SOCKET	3
	1	1	PTFE	INSULATOR	2
	1	1	BRASS	BODY	1
	6--0	1--0	MATERIAL	DESCRIPTION	ITEM
QUANTITY PER ASSY			PARTS LIST		

THIS DRAWING IS A CONTROLLED DOCUMENT.		DWN J.SANDWELL 12NOV03	TE Connectivity											
DIMENSIONS: mm		CHK S.PARLOW 12NOV03												
TOLERANCES UNLESS OTHERWISE SPECIFIED:		APVD F.WHEELER-KING 12NOV03												
<table border="0"> <tr><td>0 PLC</td><td>± -</td></tr> <tr><td>1 PLC</td><td>± -</td></tr> <tr><td>2 PLC</td><td>± -</td></tr> <tr><td>3 PLC</td><td>± -</td></tr> <tr><td>4 PLC</td><td>± -</td></tr> <tr><td>ANGLES</td><td>± -</td></tr> </table>		0 PLC				± -	1 PLC	± -	2 PLC	± -	3 PLC	± -	4 PLC	± -
0 PLC	± -													
1 PLC	± -													
2 PLC	± -													
3 PLC	± -													
4 PLC	± -													
ANGLES	± -													
MATERIAL SEE TABLE		FINISH SEE TABLE	PRODUCT SPEC 108-3462	MMCX RIGHT ANGLE PCB MOUNT SOCKET RECEPTACLE 50 OHMS										
		APPLICATION SPEC 411-3280	WEIGHT -	SIZE A3	CAGE CODE 00779									
CUSTOMER DRAWING			DRAWING NO C-1634010	RESTRICTED TO -										
			SCALE NTS	SHEET 1 OF 1	REV D2									