

TELEPHONE PART

Modular Plugs Series

KLS12-RJ45B-8P8C

MATERIAL

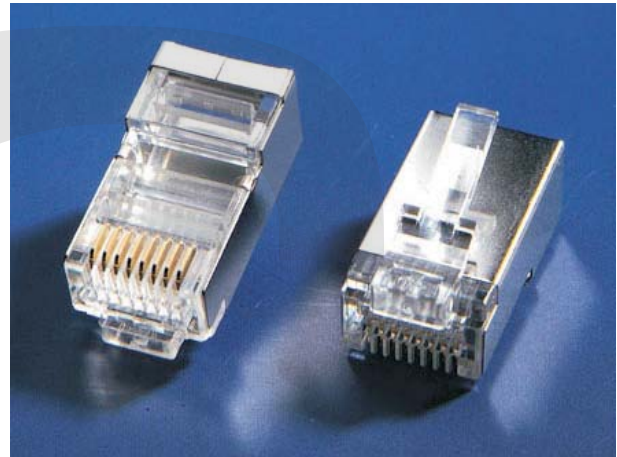
1. Housing :Polycarbonate(pc) UL 94V-0 or UL 94V-2
2. Contact :Phosphor Bronze,Hard Gold plated over nickel
- 3.Shieldingjg:0.25mm Thickness Copper Alloy With Tin plated
- 4.Gold plating:3u inch,6u inch,15u inch,30u inch,50u inch

ELECTRICAL

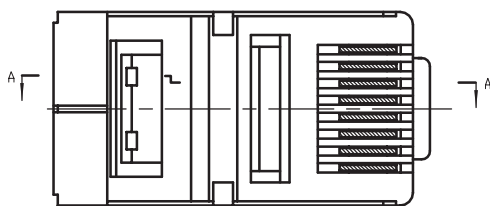
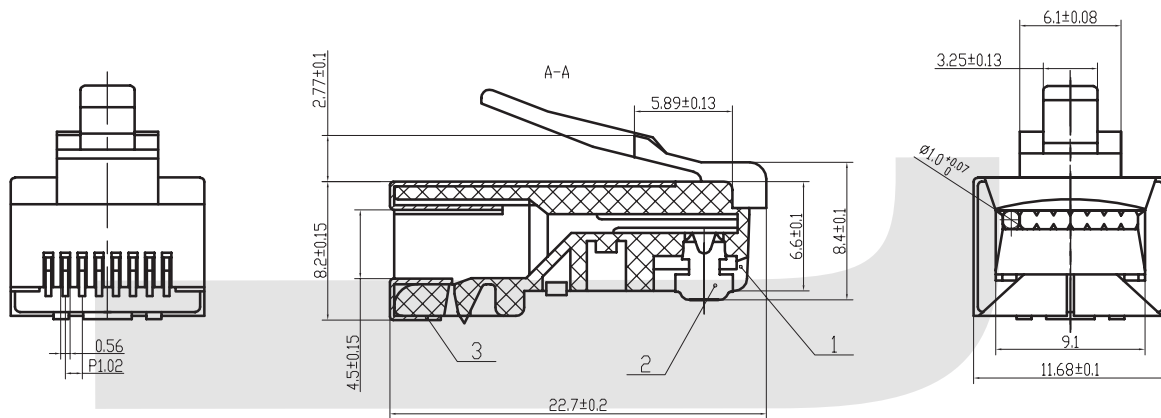
- 1.Current Rating:1.5 Amps
- 2.Voltage Rating:125 Volts AC
- 3.Insulation Resistance:100 Megohms Min.
- 4.Contact Resistance:39 Millmhos Max.
- 5.Withstanding Voltage:1000VAC RMS 50Hz or 60Hz 1 Min.

MECHANICAL

CABLE TO PLUG TENSILE STRENGTH:7.7Kg MINI
DURABILITY:750MATING CYCLES MINI
WORKING TEMPERATURE:-40°C ~60°C



XII



BLADE:

Type	A	B	C	D	E
Drawing					

ORDER INFORMATION

KLS12-RJ45B- 8P8C XX - X X X X

Part Number

Point NO.	Gold Thickness	Blade style	Color	Shielded	Shell
8P8C Point	01-Fu"	1=A Type	Transparent or other	0=No shielded	1=Steel
8P6C Point	02-3u"	2=B Type		1=With shielded	2=Copper shell
8P4C Point	03-6u"	3=C Type			
8P2C Point	04-15u"	4=D Type			
	05-30u"	5=E Type			
	06-50u"				