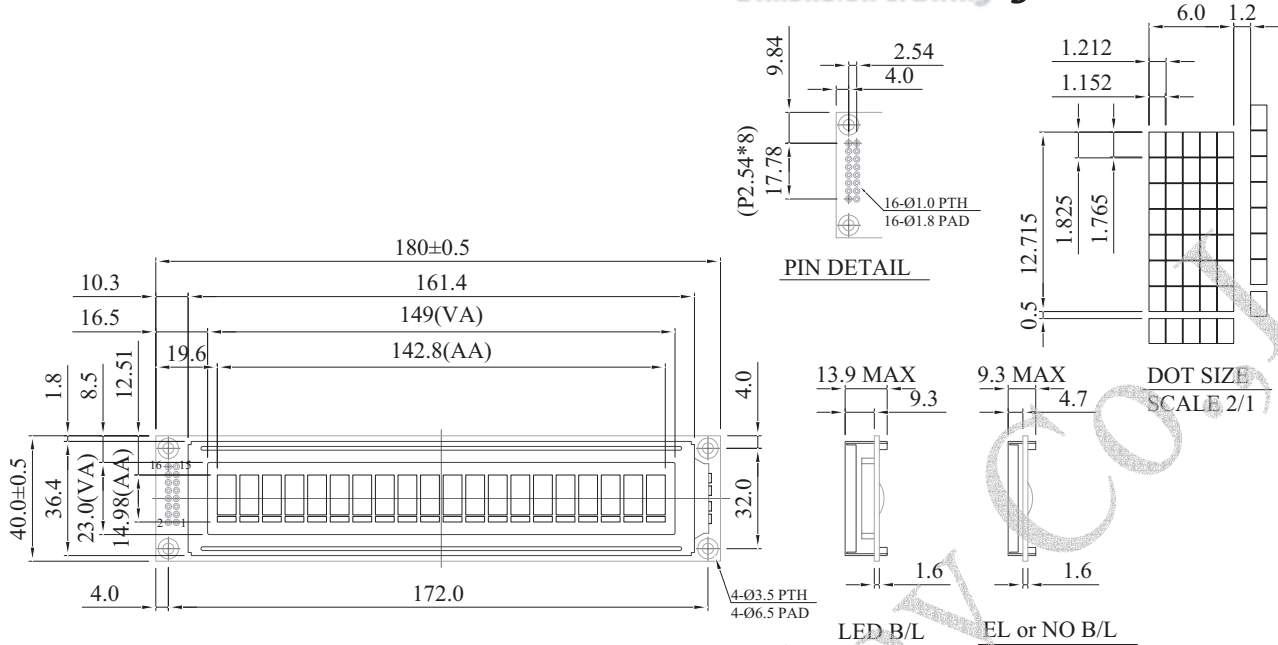




WH2001B Character 20x1

Dimension drawing



Feature

1. 5x7 dots includes cursor
2. Built-in controller (KS 0066 or Equivalent)
3. 1/16 duty cycle
4. +5V power supply

Mechanical Data

Item	Standard Value	Unit
Module Dimension	180.0X40.0	mm
Viewing Area	149.0X23.0	mm
Mounting hole	172.0X32.0	mm
Character Size	1.152x1.76	mm

Character type

Pin NO.	Symbol	Function
1	Vss	Ground
2	Vdd	Supply voltage for logic
3	Vo	Operating voltage for LCD
4	RS	H: Data L: Instruction
5	R/W	H: read data L: write data
6	E	Chip enable signal
7	DB0	Data bit 0
8	DB1	Data bit 1
9	DB2	Data bit 2
10	DB3	Data bit 3
11	DB4	Data bit 4
12	DB5	Data bit 5
13	DB6	Data bit 6
14	DB7	Data bit 7
15	A	LED+
16	K	LED-

Absolute Maximum Rating

Item	Symbol	Standard Value			Unit
		min.	typ.	max.	
Power Supply	VDD-VSS	-0.3	---	7.0	V
Input	VI	Vss	---	VDD	V

Note: VSS=0 Volt , VDD=5.0 Volt .

Electrical Characteristics

Item	Symbol	Condition	Standard Value			Unit	
			min.	typ.	max.		
Input Voltage	VDD	---	4.5	5.0	5.5	V	
Supply Current	IDD	VDD=5V	1.0	1.2	1.5	mA	
Recommended LC Driving Voltage for Normal Temp. Version module	VDD-VO	-20°C	---	---	5.7	V	
		0°C	---	---	---		
		25°C	---	4.2	---		
		50°C	---	---	---		
LED Forward Voltage	VF	25°C	3.4	3.5	3.6	V	
			3.4	3.5	3.6		
LED Forward Current	IF	25°C	Array	---	---	---	mA
			Edge	50	60	75	
EL Power Supply Current	IEF	Vel=110VAC,400Hz	---	---	5.0	mA	

Display Character Address Code :

Display position 1 2 3 4 5 6 7 8 9 10 11 12 13 14 15 16 17 18 19 20
 DD RAM Address 00|01|02| | | | | | | | | | | | 0E|0F|10|11|12|13