

TX3750-1E-SAW433  
TX3750-2E-SAW433  
TX3750-4E-SAW433



## 1/2/4 Chs keyfob transmitters with 86409 encoder



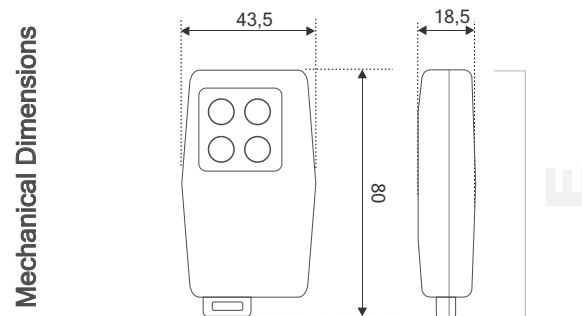
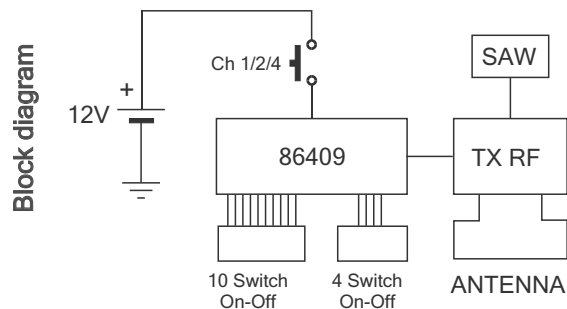
AM OOK 434  
code sending

### Description

1/2/4 channels RF transmitters with SAW filter oscillator. Ideal for remote control applications. High efficiency and low spurious emission. High efficiency and low spurious emission. In compliance with European Normative.

### Descrizione

Trasmettitore palmare RF con risonatore SAW, a 1-2-4 canali. Ideale per applicazioni ove si richiedano comandi codificati, alta efficienza e bassa emissione di spurie. Conforme alle Normative Europee.



All dimensions are in millimeters

# 1/2/4 Chs keyfob transmitters with 86409 encoder

## Technical Specification

Ta = 25 °C

| Characteristics             | Min  | Typ    | Max  | Unit |
|-----------------------------|------|--------|------|------|
| Battery supply              |      | 12     |      | Vdc  |
| Supply Current              |      | 7      |      | mA   |
| RF carrier frequency        |      | 433.92 |      | MHz  |
| Effective radiated power    |      |        | 1    | mW   |
| Encoder clock frequency     | 0.85 | 1      | 1.15 | kHz  |
| Codes                       |      |        | 4096 | bit  |
| Operating temperature range | +10  |        | +55  | °C   |

## Specifiche Tecniche

Ta = 25 °C

| Caratteristiche            | Min  | Tip    | Max  | Unità |
|----------------------------|------|--------|------|-------|
| Alimentazione con batteria |      | 12     |      | Vdc   |
| Corrente assorbita         |      | 7      |      | mA    |
| Frequenza portante RF      |      | 433.92 |      | MHz   |
| Potenza irradiata          |      |        | 1    | mW    |
| Frequenza di clock encoder | 0.85 | 1      | 1.15 | kHz   |
| Combinazioni               |      |        | 4096 | bit   |
| Temperatura di lavoro      | +10  |        | +55  | °C    |

## Part Number / Model



650200877  
mod.TX3750-1E-SAW433



650200878  
mod.TX3750-2E-SAW433



650200879  
mod.TX3750-4E-SAW433