



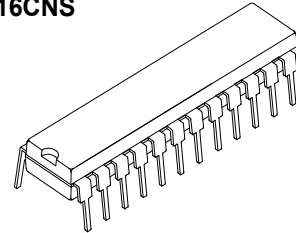
Features

- 16 constant-current output channels
- Output current adjustable through an external resistor
- Serial data in/parallel data out
- Output current: 5-90 mA
- 20MHz clock frequency

Product Description

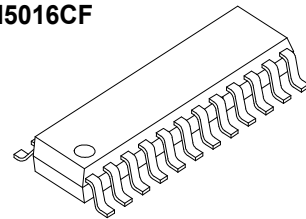
MBI5016, utilizing the most advanced silicon technology, is targeted for LED panel display. MBI5016 contains CMOS shift registers and latch functions, converting serial input data into parallel output format. At the output stage, sixteen regulated current sources, implemented in Bipolar Junction Transistor, were designed to provide 5-90 mA constant current for driving LEDs.

MBI5016 provides users with great flexibility and device performance while using MBI5016 in their LED panel system design. Users may adjust the output current of MBI5016 through an external resistor, R_{ext} , which gives users flexibility in controlling the light intensity of LEDs. MBI5016 guarantees to endure 17V at the output port, allowing users to connect more LEDs in series. The high clock frequency, 20 MHz, also satisfies the system requirement of high volume data transmission.

MBI5016CNS

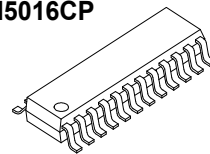
SDIP24-P-300-1.78

Weight: 1.11g(typ)

MBI5016CF

SOP24-P-300-1.00

Weight: 0.28g(typ)

MBI5016CP

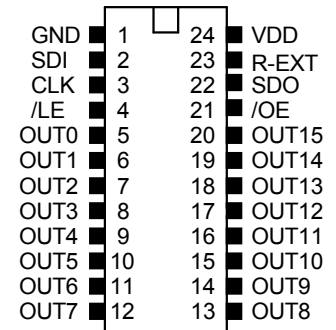
SSOP24-P-150-0.64

Weight: 0.11g(typ)

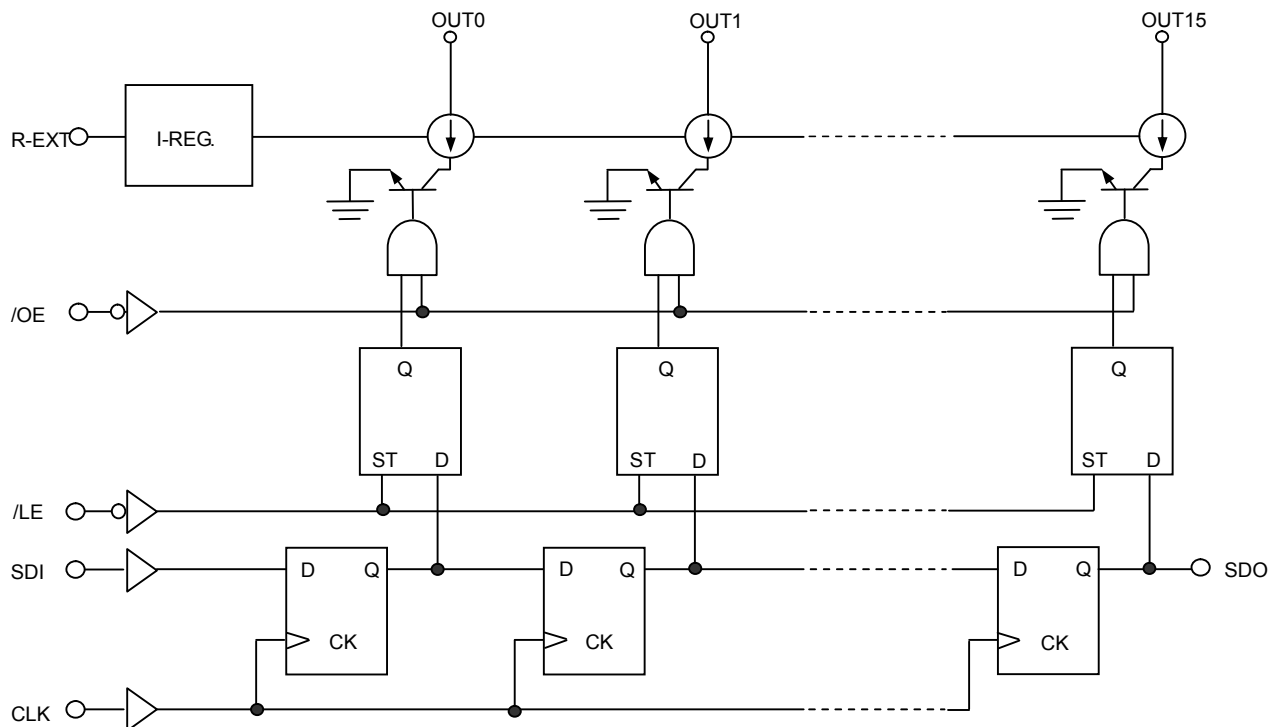
Terminal Description

PIN NO.	PIN NAME	FUNCTION
1	GND	Ground terminal for control logic and current sink
2	SDI	Serial-data input to the shift register
3	CLK	Clock input terminal for data shift on rising edge
4	/LE	Data strobe input terminal Serial data is transferred to the output latch when /LE is high. The data is latched when /LE goes low.
5~20	OUT0~OUT15	Constant current output terminals
21	/OE	Output enable terminal When (active) low, the output drivers are enabled; when high, all output drivers are turned OFF (blanked).
22	SDO	Serial-data output to the following SDI of next driver IC
23	R-EXT	Input terminal used to connect an external resistor for setting up output current for all output channels
24	VDD	5V supply voltage terminal

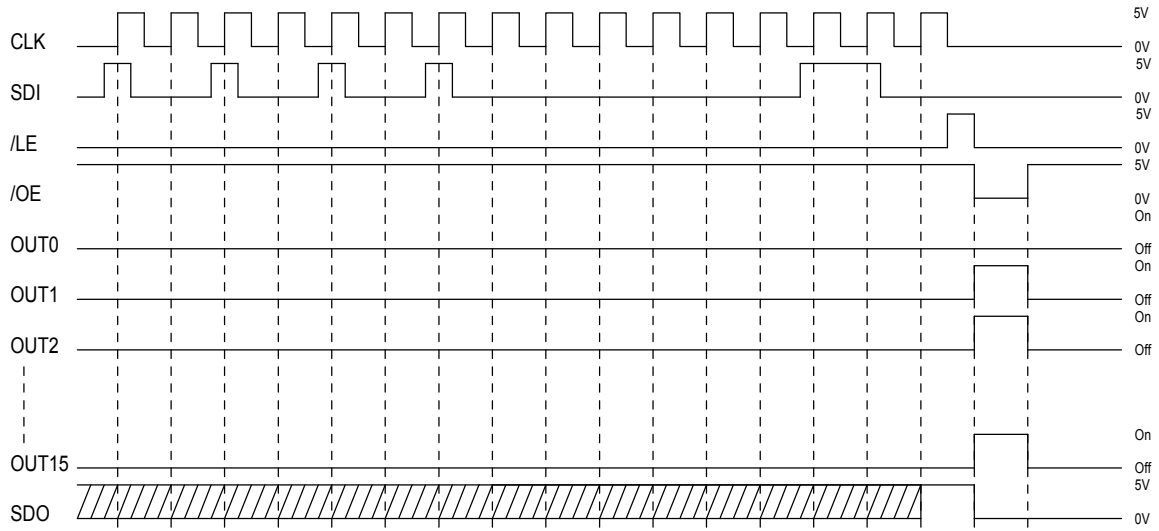
Pin Description



Block Diagram



Timing Diagram

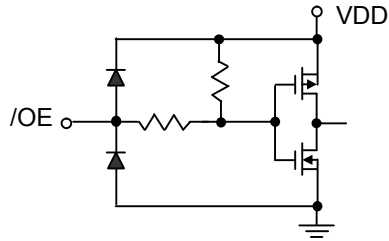


Truth Table

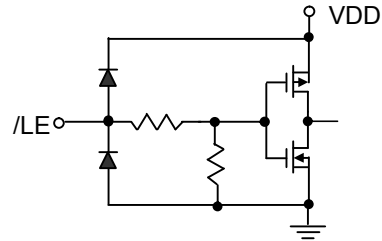
CLK	/LE	/OE	SDI	OUT0...OUT7...OUT15	SDO
UP	H	L	D_n	D_n D_{n-7} D_{n-15}	D_{n-15}
UP	L	L	D_{n+1}	No Change	D_{n-14}
UP	H	L	D_{n+2}	D_{n+2} D_{n-5} D_{n-13}	D_{n-13}
DOWN	X	L	D_{n+3}	D_{n+2} D_{n-5} D_{n-13}	D_{n-13}
DOWN	X	H	D_{n+3}	Off	D_{n-13}

Equivalent Circuits of Inputs and Outputs

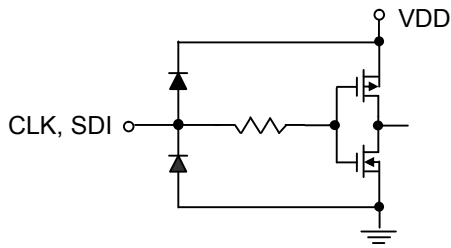
/OE terminal



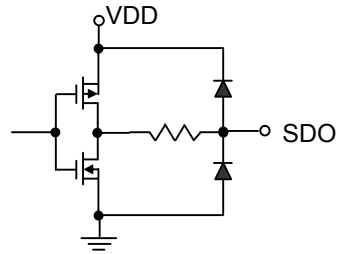
/LE terminal



CLK, SDI terminal



SDO terminal



Maximum Ratings

CHARACTERISTIC		SYMBOL	RATING	UNIT
Supply Voltage		V_{DD}	0~+7.0	V
Output Voltage		V_{CE}	-0.5~+17.0	V
Output Current		I_{OUT}	+90	mA
Input Voltage		V_{IN}	-0.4~ $V_{DD}+0.4$	V
GND Terminal Current		I_{GND}	1440	mA
Clock Frequency		F_{CLK}	20	MHz
Power Dissipation (ON PCB, $T_a=25^{\circ}C$)	CNS – type	P_D	1.52	W
	CF – type		1.30	
	CP – type		1.11	
Thermal Resistance (ON PCB, $T_a=25^{\circ}C$)	CNS – type	$R_{th(j-a)}$	82	$^{\circ}C/W$
	CF – type		96	
	CP – type		112	
Operating Temperature		T_{opr}	-40~+85	$^{\circ}C$
Storage Temperature		T_{stg}	-55~+150	$^{\circ}C$

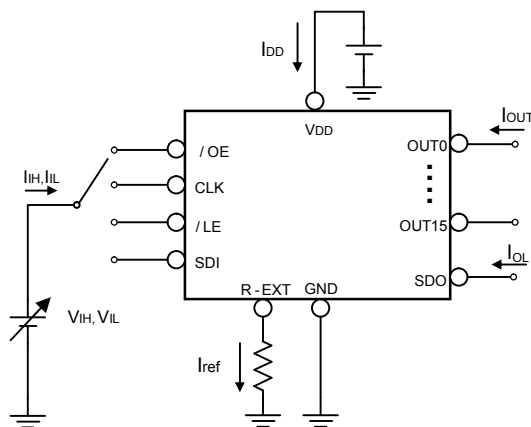
Recommended Operating Condition

CHARACTERISTIC		SYMBOL	CONDITION	MIN.	TYP.	MAX.	UNIT
Supply Voltage		V_{DD}	-	4.5	5.0	5.5	V
Output Voltage		V_{CE}	-	-	-	17.0	V
Output Current		I_{OUT}	DC Test Circuit	5	-	90	mA
		I_{OH}	SDO	-	-	-1.0	mA
		I_{OL}	SDO	-	-	1.0	mA
Input Voltage		V_{IH}	-	$0.7V_{DD}$	-	$V_{DD}+0.3$	V
		V_{IL}	-	-0.3	-	$0.3V_{DD}$	V
/LE Pulse Width		$t_{w(L)}$	$V_{DD}=4.5\sim 5.5V$	25	-	-	ns
CLK Pulse Width		$t_{w(CLK)}$		25	-	-	ns
/OE Pulse Width		$t_{w(OE)}$		400	-	-	ns
Setup Time for DATA		$t_{su(D)}$		20	-	-	ns
Hold Time for DATA		$t_{h(D)}$		15	-	-	ns
Setup Time for LATCH		$t_{su(L)}$		60	-	-	ns
Hold Time for LATCH		$t_{h(L)}$		20	-	-	ns
Clock Frequency		F_{CLK}		Cascade Operation	-	-	20.0
Power Dissipation	CNS – type	P_D	$T_a=85^{\circ}C$	-	-	0.79	W
	CF – type					0.67	
	CP – type					0.57	

Electrical Characteristics

CHARACTERISTIC		SYMBOL	CONDITION	MIN.	TYP.	MAX.	UNIT
Input Voltage	“H” level	V_{IH}	-	$0.7V_{DD}$	-	V_{DD}	V
	“L” level	V_{IL}	-	GND	-	$0.3V_{DD}$	
Output Leakage Current		I_{OH}	$V_{OH}=17.0V$	-	-	10	μA
Output Voltage	SDO	V_{OL}	$I_{OL}=+1.0mA$	-	-	0.4	V
		V_{OH}	$I_{OH}=-1.0mA$	4.6	-	-	V
Output Current 1		I_{OUT1}	$V_{CE}=0.8V$ $R_{ext} = 865 \Omega$ (Include Skew)	-	40.0	-	mA
Current Skew		dI_{OUT1}	$I_{OL}=40mA$ $V_{CE}=0.8V$ $R_{ext} = 865 \Omega$	-	± 1.5	± 6.0	%
Output Current 2		I_{OUT2}	$V_{CE}=1.2V$ $R_{ext} = 330 \Omega$ (Include Skew)	-	80.0	-	mA
Current Skew		dI_{OUT2}	$I_{OL}=80mA$ $V_{CE}=1.2V$ $R_{ext} = 330 \Omega$	-	± 1.5	± 6.0	%
Pull-up Resistor		RIN(up)	-	150	300	600	K Ω
Pull-down Resistor		RIN(down)	-	85	200	400	K Ω
Supply Current	“OFF”	$I_{DD}(off) 1$	$R_{ext} = OPEN, OUT0\sim 15=Off$	-	0.1	1.0	mA
		$I_{DD}(off) 2$	$R_{ext} = 865 \Omega, OUT0\sim 15=Off$	0.1	0.2	1.0	
		$I_{DD}(off) 3$	$R_{ext} = 330 \Omega, OUT0\sim 15=Off$	0.1	0.2	1.0	
	“ON”	$I_{DD}(on) 1$	$R_{ext} = 865 \Omega, OUT0\sim 15=On$	10	16	22	
		$I_{DD}(on) 2$	$R_{ext} = 330 \Omega, OUT0\sim 15=On$	18	24.3	38.5	

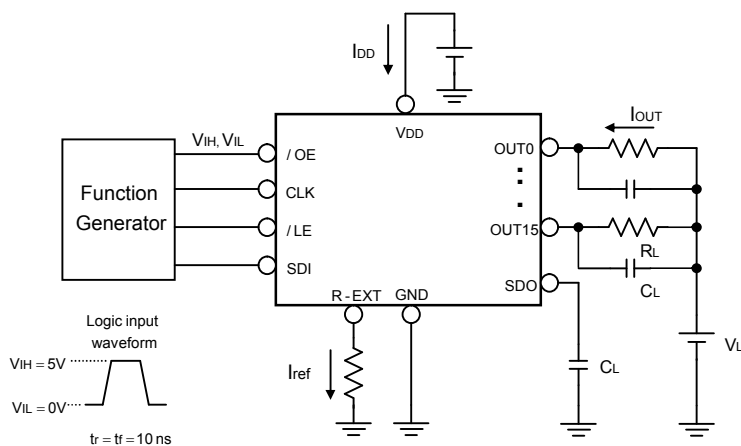
Test Circuit for Electrical Characteristic



Switching Characteristics

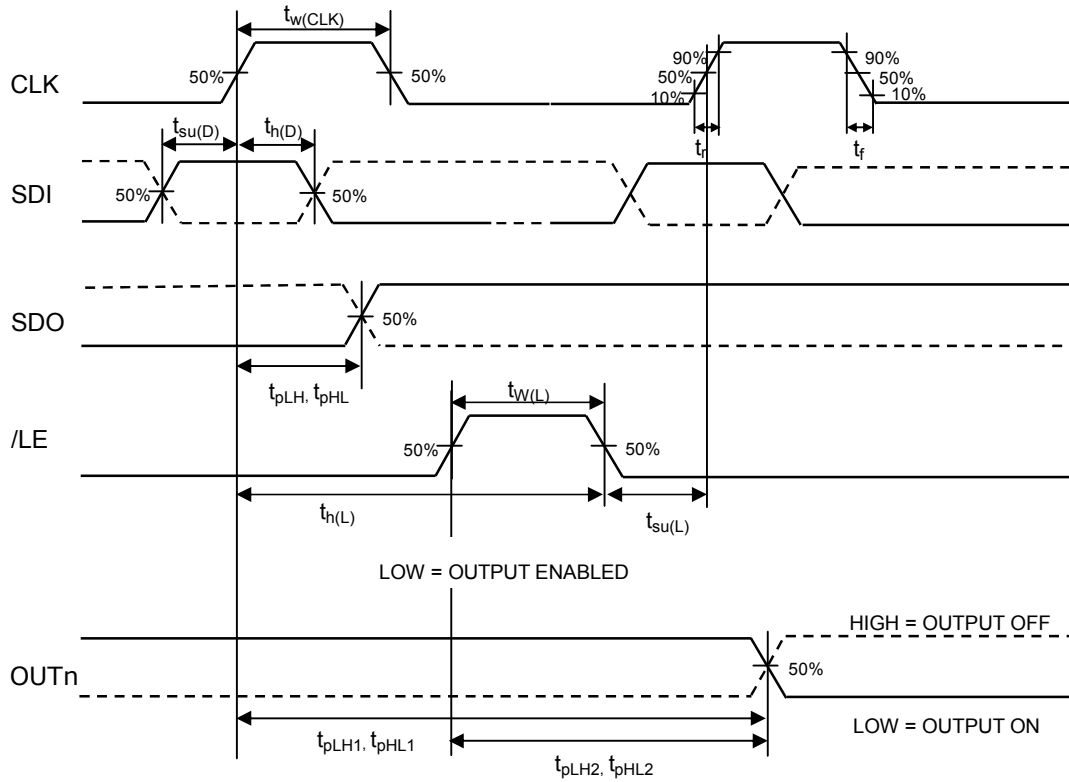
CHARACTERISTIC		SYMBOL	CONDITION	MIN.	TYP.	MAX.	UNIT
Propagation Delay Time ("L" to "H")	CLK - OUTn	t_{pLH1}	$V_{DD}=5.0V$ $V_{CE}=0.8V$ $V_{IH}=V_{DD}$ $V_{IL}=GND$ $R_{ext} = 865 \Omega$ $V_L=3.4V$ $R_L=65 \Omega$ $C_L=10.5pF$	-	200	300	ns
	/LE - OUTn	t_{pLH2}		-	200	300	ns
	/OE - OUTn	t_{pLH3}		-	200	300	ns
	CLK - SDO	t_{pLH}		20	50	70	ns
Propagation Delay Time ("H" to "L")	CLK - OUTn	t_{pHL1}		-	200	300	ns
	/LE - OUTn	t_{pHL2}		-	200	300	ns
	/OE - OUTn	t_{pHL3}		-	200	300	ns
	CLK - SDO	t_{pHL}		20	50	70	ns
Pulse Width	CLK	$t_{w(CLK)}$		15	-	-	ns
	/LE	$t_{w(L)}$		20	-	-	ns
Set-up Time for LATCH		$t_{su(L)}$		10	-	-	ns
Hold Time for LATCH		$t_{h(L)}$		10	-	-	ns
Maximum CLK Rise Time		t_r		-	-	500	us
Maximum CLK Fall Time		t_f		-	-	500	us
Output Rise Time		t_{or}		-	150	200	ns
Output Fall Time		t_{of}		-	150	200	ns

Test Circuit for Switching Characteristic

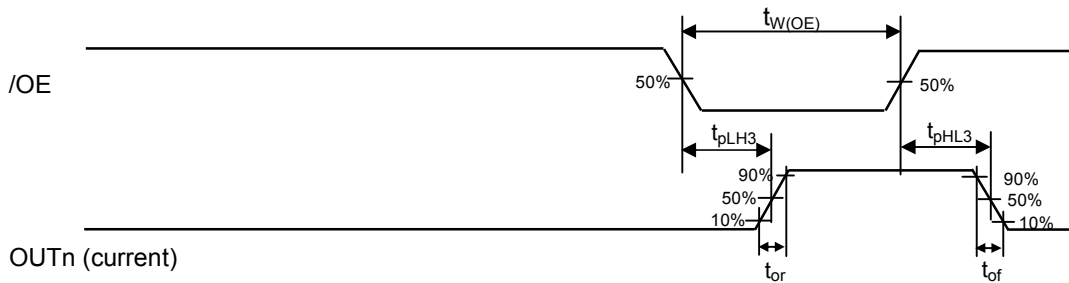


Timing Waveform

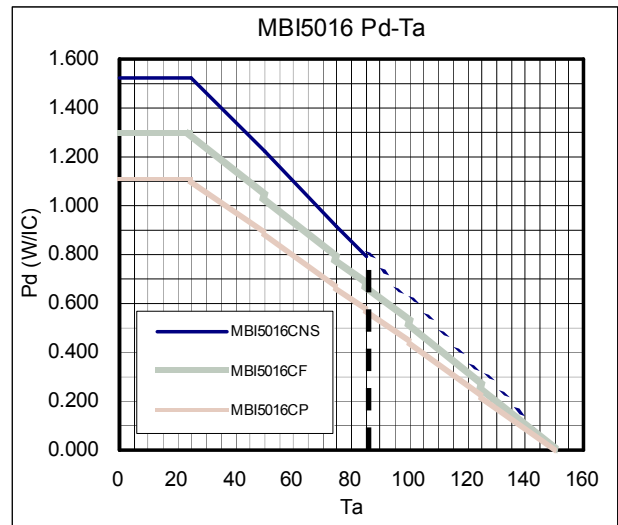
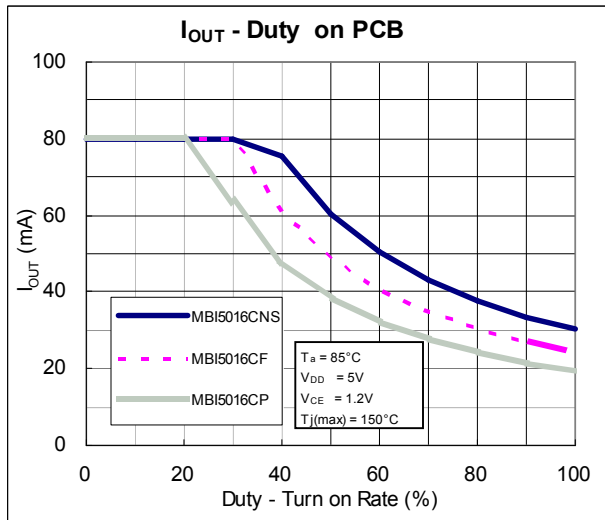
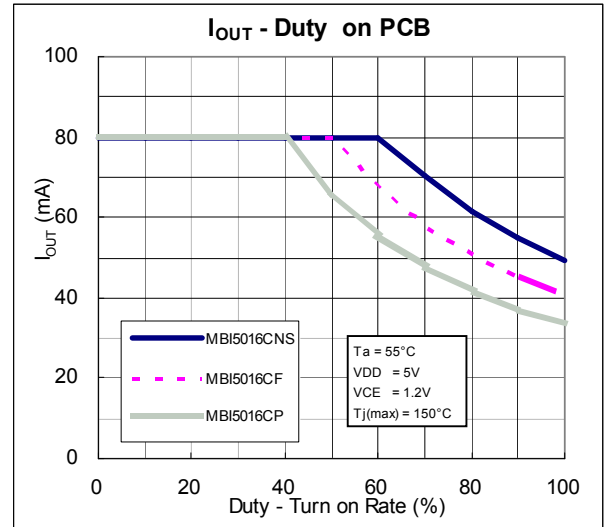
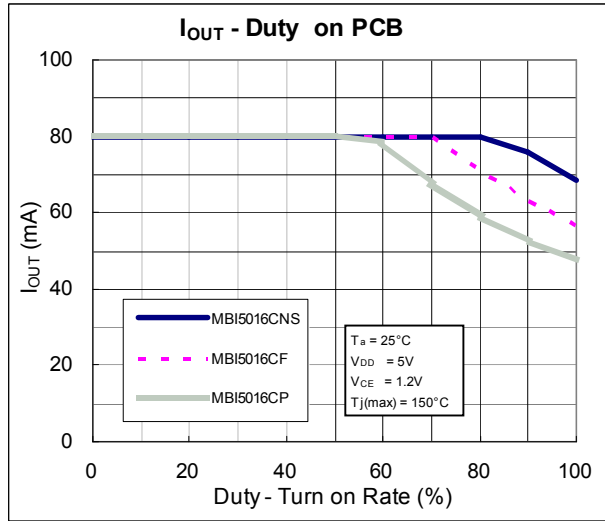
1. CLK, SDO, /LE, OUTn



2. /OE, OUTn

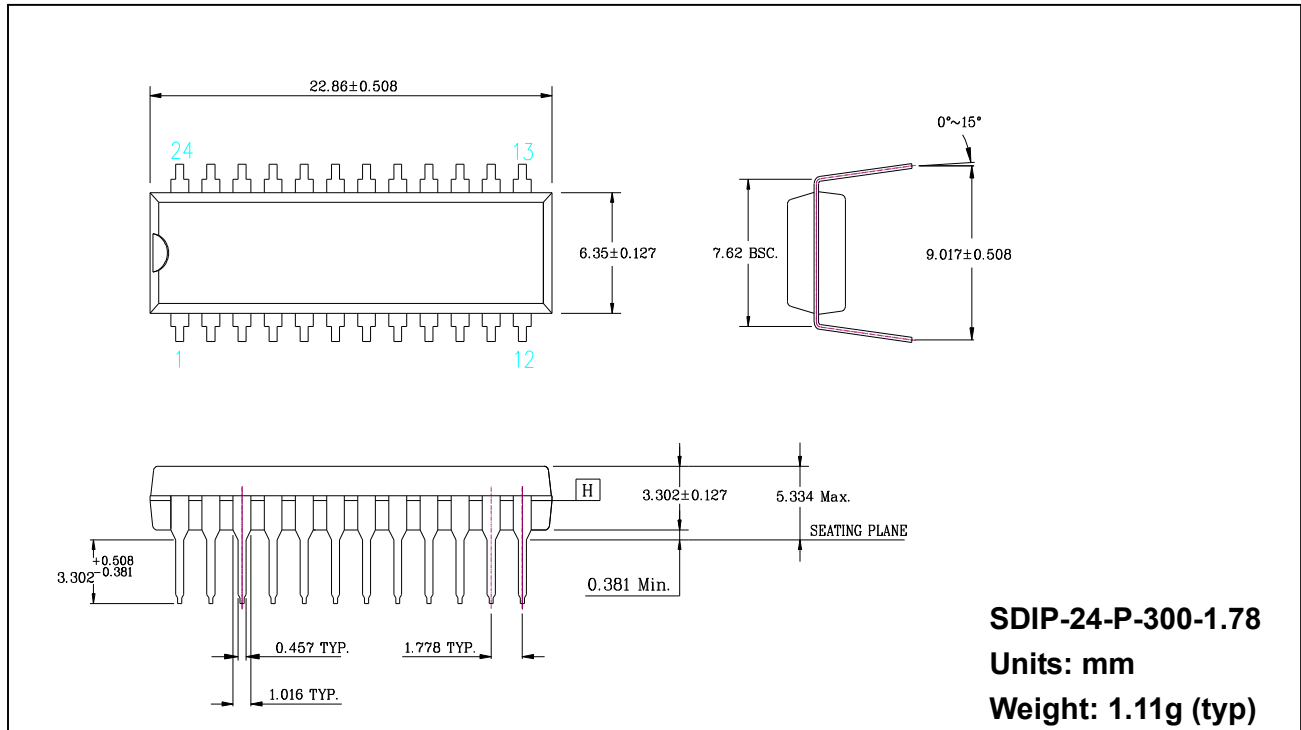


Graphs

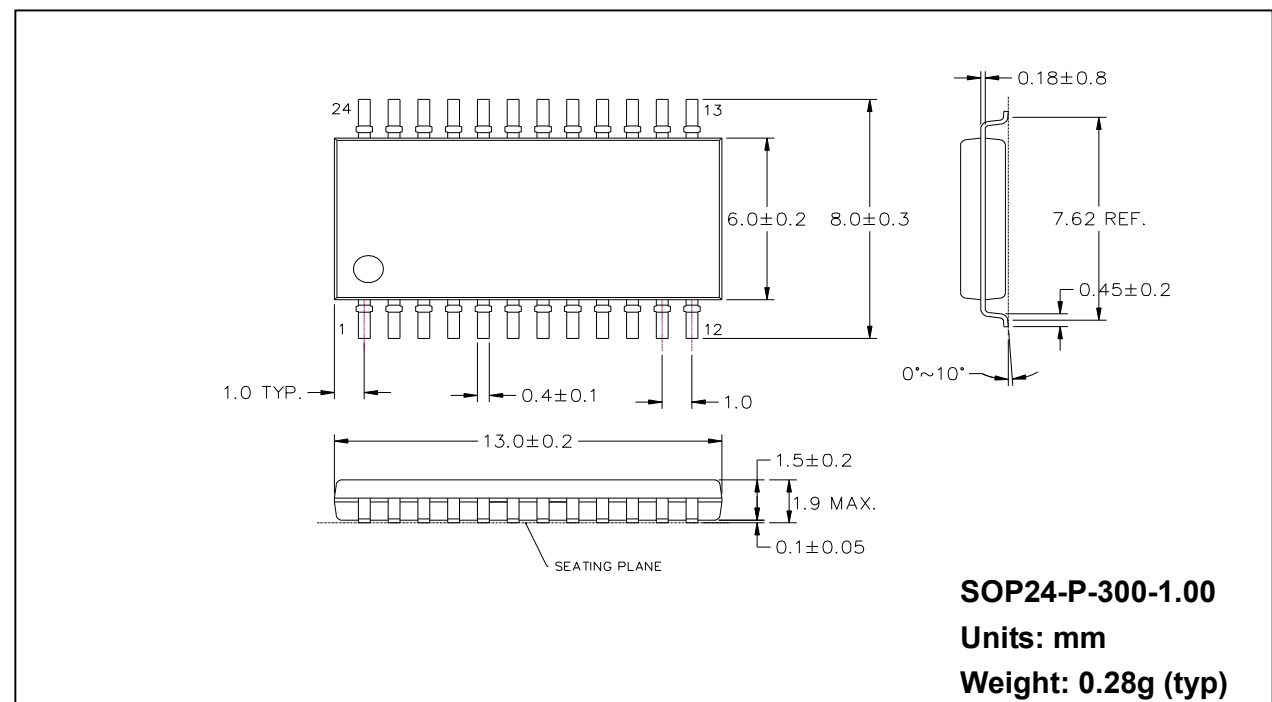


Outline Drawings

MBI5016CNS



MBI5016CF



MBI5016CP

